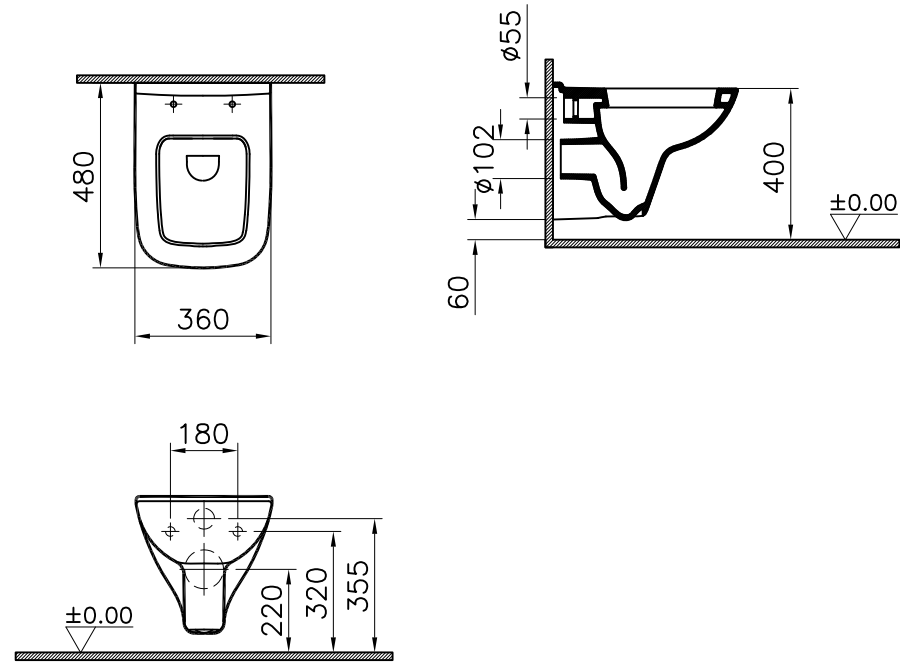


Theoretic Mass(kg)		Revision	
Surface Area(dm <sup>2</sup> )		<b>A4</b>	

Thread	Hole	Shaft



1	1	Wall-hung WC pan	5505-0101	Ceramic	
item	Quantity	Part Name	Drawing No	Material	Material Class
		Series	Material	Ceramic	Material Class
		S20	Wall-hung WC pan		
Drawn By		Controlled By	Approved By	Date	Drawing No
G.GULTER		H.TURKOZ	S.VEDAT SARIGOL	07.12.2010	5505
Date		Name	Scale		
21.12.2012		GOKHAN	1/20		
Description		VitrA®   ARTEMA®			

01	Replaces Drawing dated 07.12.2010	21.12.2012	GOKHAN
R.S	Description	Date	NAME

This drawing can only be used for the intended purposes. Unauthorized copying is strictly prohibited.