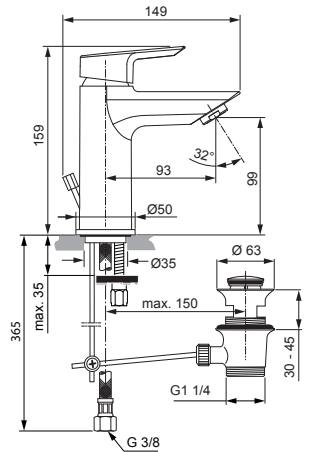
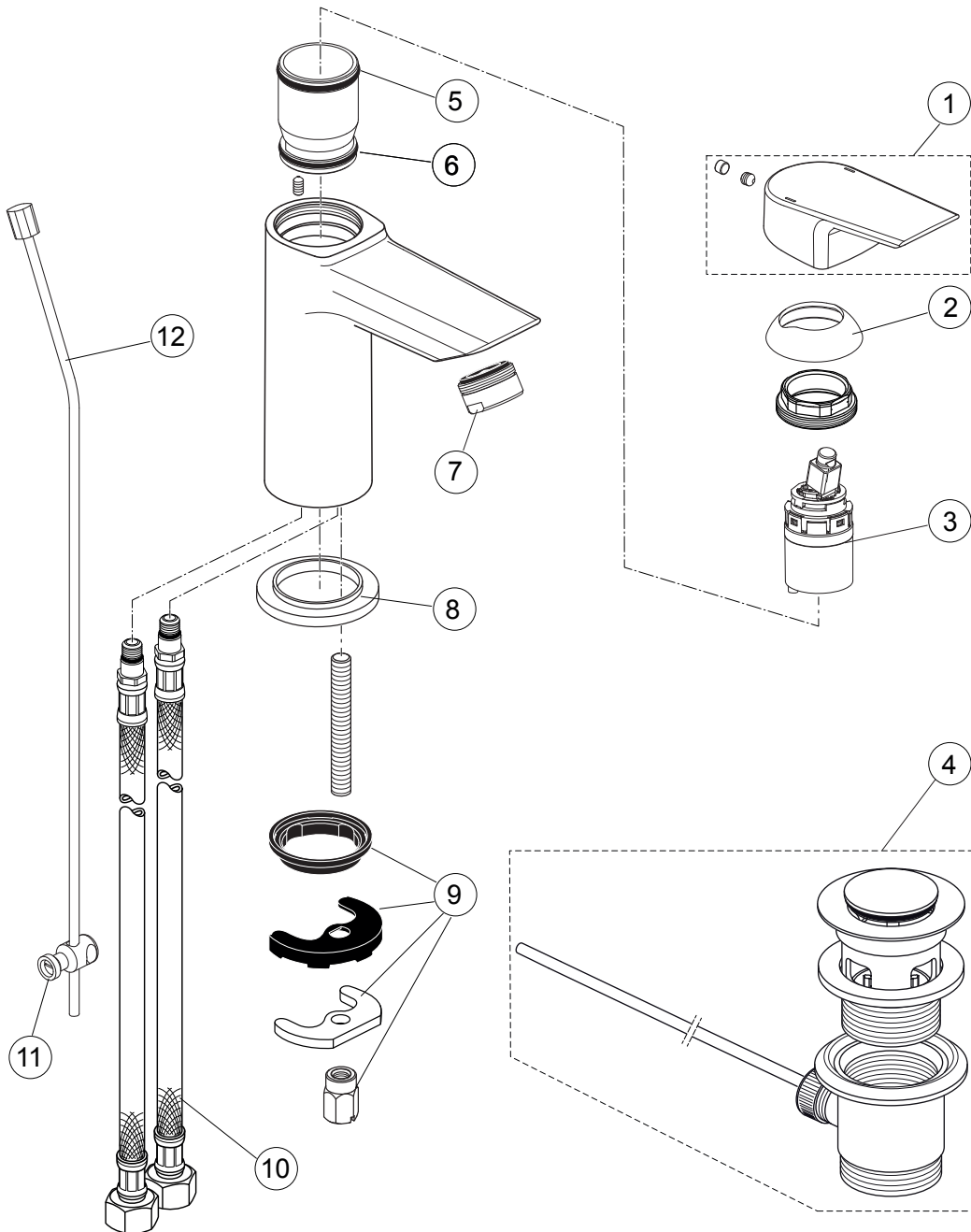
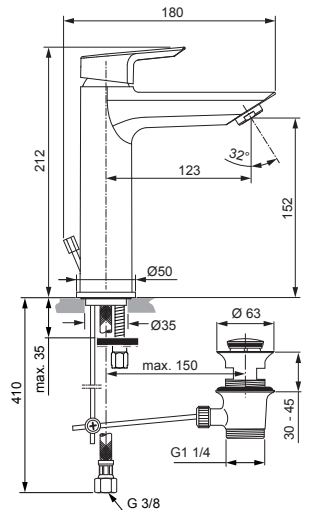


Produced since: Dec. 2020



SL basin mixer flex. hose with pop-up waste chrome **A6557AA**

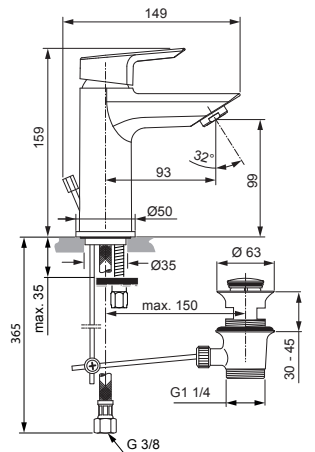
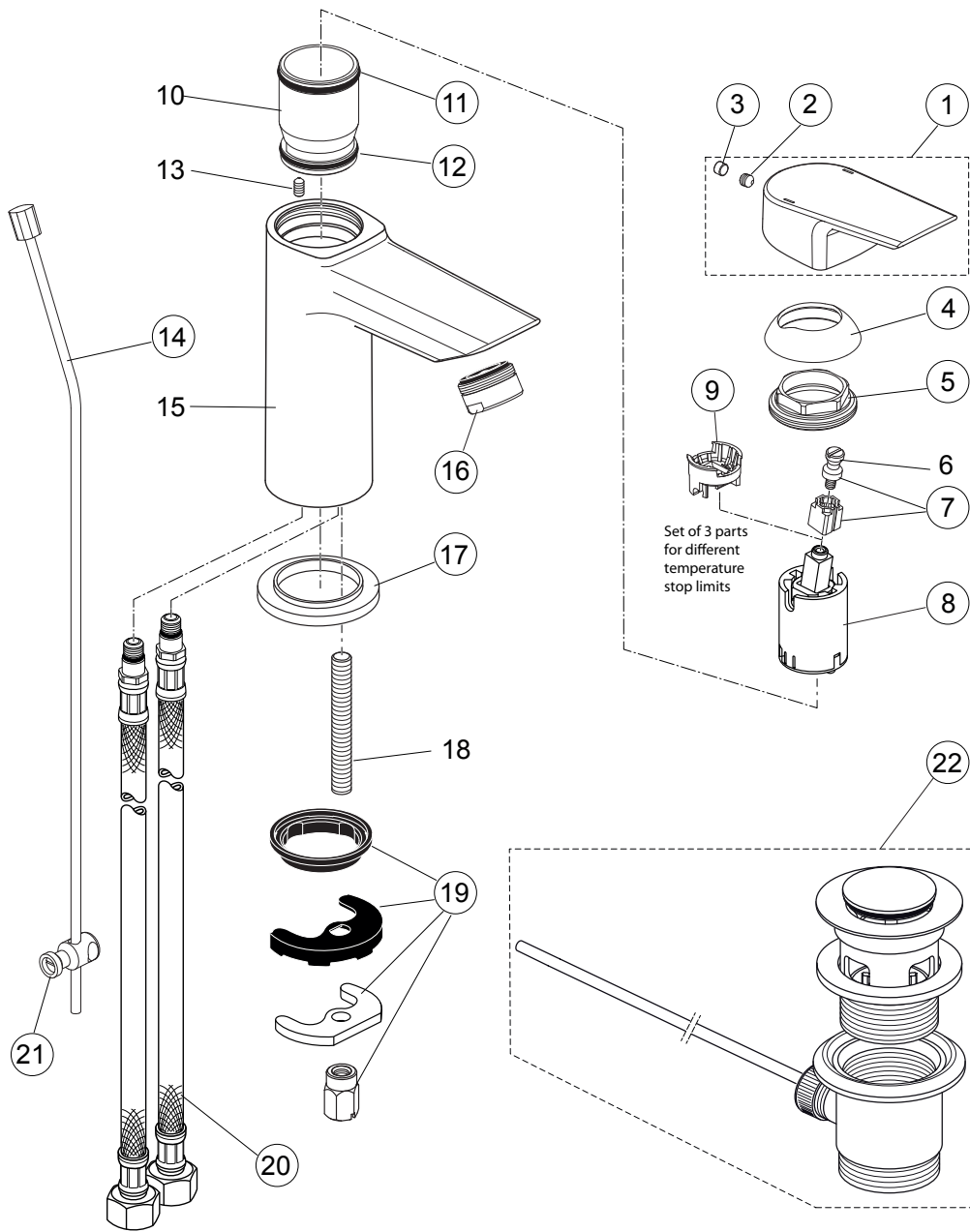
without pop-up waste chrome **A6559AA**



SL basin mixer Grande with flex. hose with pop-up waste chrome **A6563AA**

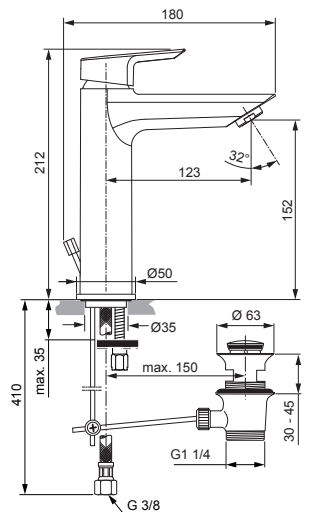
Pos.	Description	Part-Number	Qty.	Pos.	Description	Part-Number	Qty.
1	Lever compl. with Logo ISI	A 861 018 AA	1 Set	10	Flex. hose M10x1-G3/8-450	A 963 600 NU	1 pcs
2	Cover cap	F 960 975 AA	1 pcs	11	Bracket	A 961 172 NU	1 pcs
3	Cartridge Kerax Ø28	A 861 396 NU	1 pcs	12	Lift rod cpl.	B 961 119 AA	1 Set
4	Pop-up waste complete	A 962 991 AA	1 Set				
5	O - Ring Ø 28 x 2	A 963 299 NU	1 pcs				
6	O - Ring Ø 26,7 x 1,78	A 962 825 NU	1 pcs				
7	Aerator M24x1 - 5ltr/min	B 960 754 AA	1 pcs				
8	Escutcheon	B 960 712 AA	1 pcs				
9	Fixation kit	A 964 520 NU	1 Set				

Produced since: Nov. 2015 - Dec. 2020



SL basin mixer flex. hose with pop-up waste chrome **A6557AA**

without pop-up waste chrome **A6559AA**



SL basin mixer Grande with flex. hose with pop-up waste chrome **A6563AA**

Pos.	Description	Part-Number	Qty.	Pos.	Description	Part-Number	Qty.
1	Lever compl. with Logo ISI	A 861 018 AA	1 Set	13	Thread pin M4 x 8 ISO 4027		
2	Thread pin M5x6 DIN914	A 860 603 NU	1 pcs	14	Lift rod cpl. + Pos. 21	B 961 119 AA	1 Set
3	Handle plug	A 963 751 NU	1 pcs	15	Body		
4	Cover cap	F 960 975 AA	1 pcs	16	Aerator M24x1 - 5ltr/min	B 960 754 AA	1 pcs
5	Thread ring M36x1	B 961 087 NU	1 pcs	17	Escutcheon	B 960 712 AA	1 pcs
6	Handle srew M4			18	Bolt M8x63		
7	Lever adapter + screw	A 860 892 NU	1 Set	19	Fixation kit	A 964 520 NU	1 Set
8	Cartridge Kerox Ø28 + Pos.7	F 960 855 NU	1 Set	20	Flex. hose M10x1-G3/8-450	A 963 600 NU	1 pcs
9	Hot water limiter - 3 parts	B 961 088 NU	1 Set	21	Bracket	A 961 172 NU	1 pcs
10	Manifold			22	Pop-up waste complete	A 962 991 AA	1 Set
11	O - Ring Ø 28 x 2	A 963 299 NU	1 pcs				
12	O - Ring Ø 26,7 x 1,78	A 962 825 NU	1 pcs				