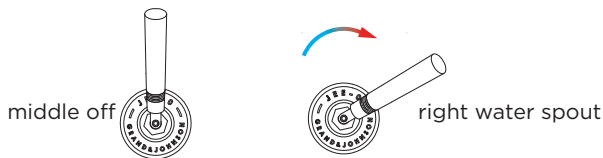
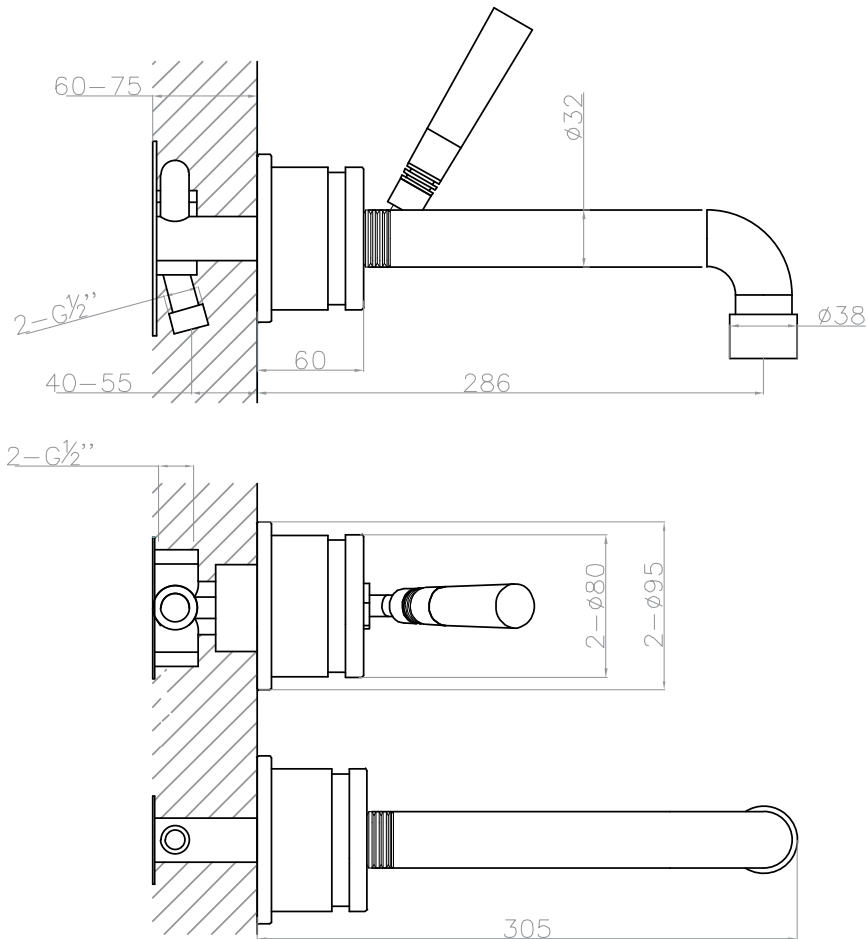




JEE-O soho wall basin mixer



Article code:	700-1500 ● RAW 700-1502 ● 1.5 Electro powder spray hammercoated black	Connection: Thread:	4 x G 1/2" (ø15mm / 0.6") British Standard Pipe (BSP)
Material:	Stainless Steel r304	Dimension package: Total weight: Package weight:	L 56 x W 34 x H 17 cm 4.4 kg 0.9 kg
Cleaning instructions:	download JEE-O shower and taps manual on our website: www.jee-o.com	7 year warranty - The general conditions can be found on our website: www.jee-o.com/downloads	
Cartridge:	Sedal ceramic mixing mechanism (progressive), item code 005-0104	HS code:	84818011
Flow at water of 38°C / 100,4°F:	10l p/m at 3bar pressure	Approvals:	SLS BS EN 817, SS 375, AS/NZS 4020, BS EN

