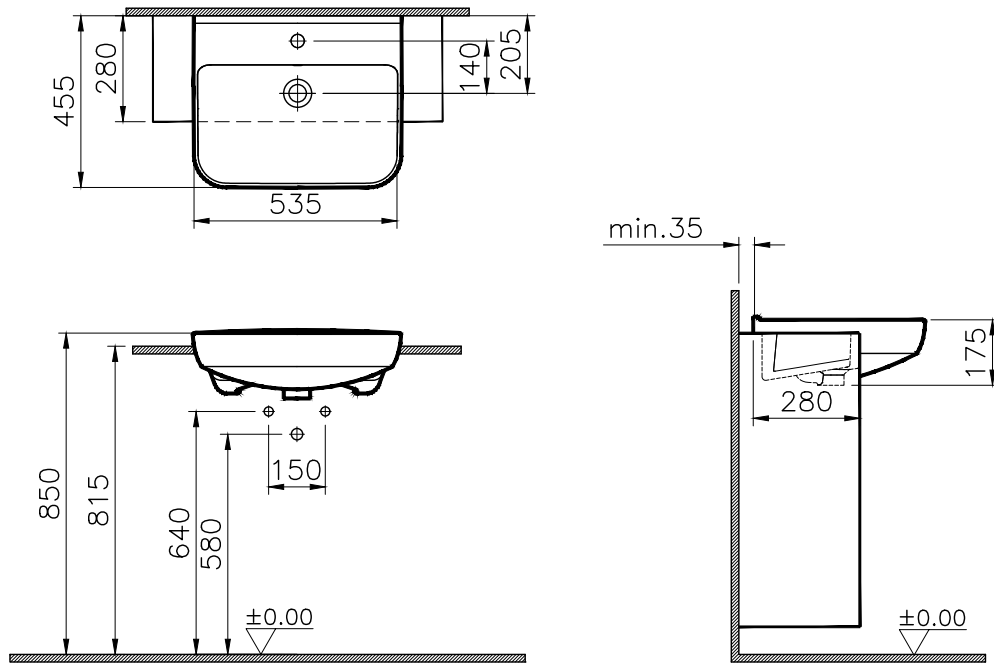


Theoretic Mass(kg)		Revision	
Surface Area(dm <sup>2</sup> )		<b>A4</b>	

Thread	Hole	Shaft



1	1	Semi-recessed basin,	5637-0001	Ceramic	
item	Quantity	Part Name	Drawing No	Material	Material Class
		Series	Ceramic	Material Class	
		SENTO	Semi-recessed basin,		
Drawn By	Controlled By	Approved By	Date	Drawing No	Scale
G.GULTER	N.BALTACI	A.YONCACILAR	16.12.2016	5637	1/20

This drawing can only be used for the intended purposes. Unauthorized copying is strictly prohibited.

R.S	Description	Date	NAME

**VitrA<sup>®</sup> ART E M A**