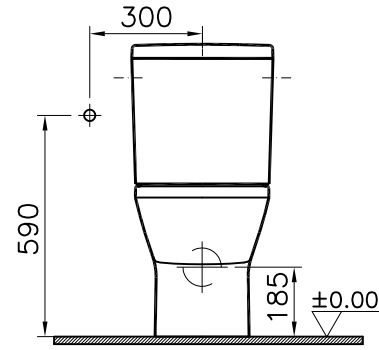
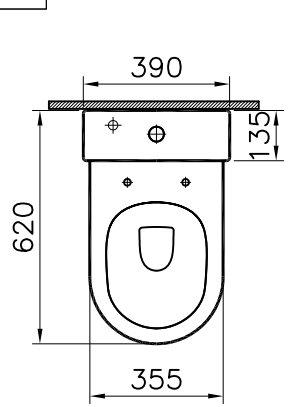
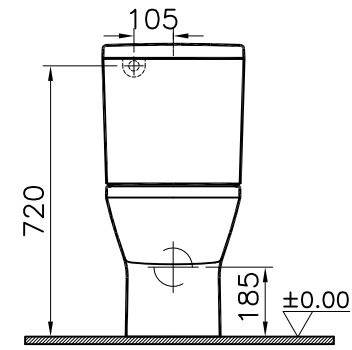


Theoretic Mass(kg)	Revision
Surface Area(dm ²)	A4

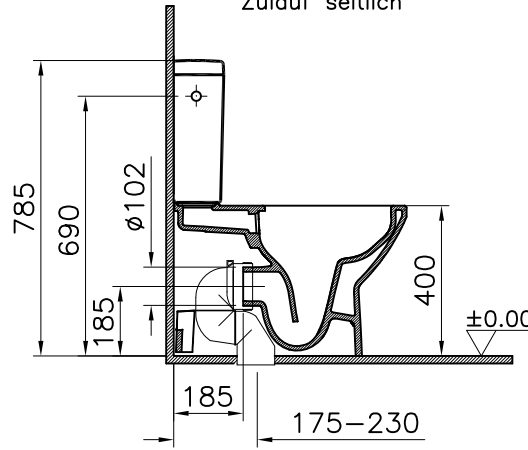
Thread	Hole	Shaft



Yandan girisli
Side inlet
Zulauf seitlich

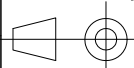


Arkadan girisli
Back inlet
Zulauf von hinten



2	1	Cistern	5428-0312	Ceramic	
1	1	Close-coupled WC pan	7043-0585	Ceramic	
item	Quantity	Part Name	Drawing No	Material	Material Class
		S80	Ceramic	Ceramic	
		Close-coupled WC pan			
Drawn By	Controlled By	Approved By	Date	Drawing No	Scale
G.GULTER	N.BALTACI	V.SARIGOL	15.09.2017	7043-5428	1/20

R.S	Description	Date	NAME



This drawing can only be used for the intended purposes. Unauthorized copying is strictly prohibited.

VitrA® ARTEMA®