



mpi.hansa.com/6452000918

static.hansa.com/userguide/6452000918

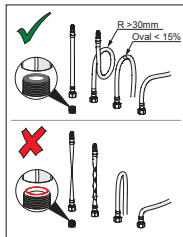
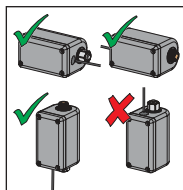
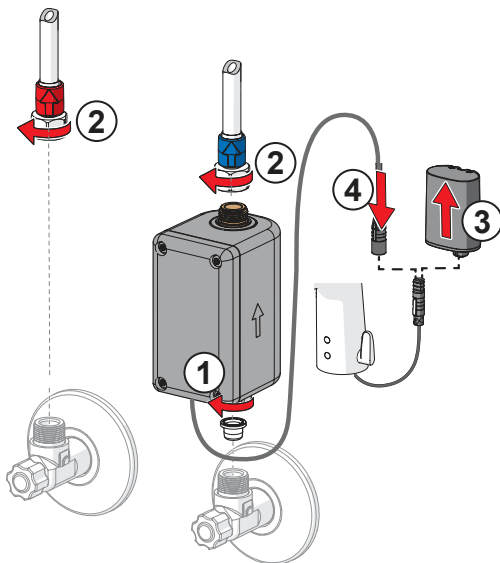


19



① ②

max.
1600 kPa



HANSA

HANSA Armaturen GmbH
P. O. BOX 81 02 40
D-70519 Stuttgart
Sigmaringer Strasse 107
D-70567 Stuttgart

Tel.: +49 711 16 14 0
Fax: +49 711 16 14 368
info@hansa.de

www.hansa.com

943473D-02-22



mpi.hansa.com/6451000918



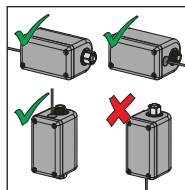
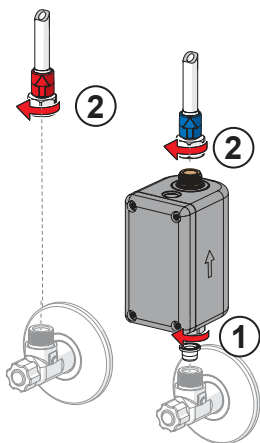
static.hansa.com/userguide/6451000918



19



max.
1600 kPa



gateway app



www.hansa.com/en/services/apps-tools/gateway-app

Apple and the Apple logo are trademarks of Apple Inc., registered in the U.S. and other countries. App Store is a service mark of Apple Inc., registered in the U.S. and other countries.

Google Play and the Google Play logo are trademarks of Google Inc.

The Bluetooth® word mark and logos are registered trademarks owned by the Bluetooth SIG, Inc. and any use of such marks by Oras Group is under license. Other trademarks and trade names are those of their respective owners.