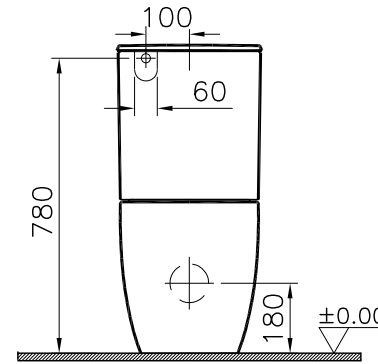
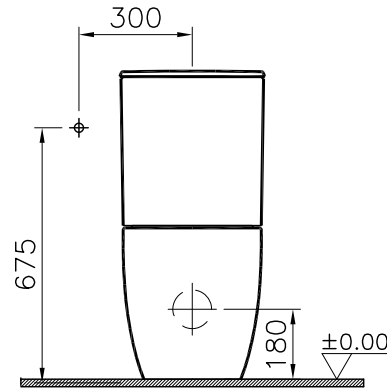
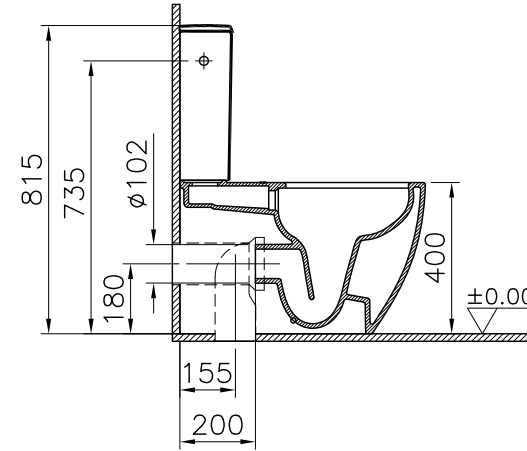
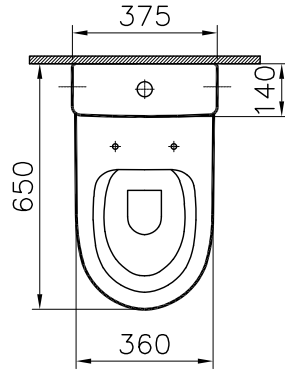


Theoretic Mass(kg)		Revision	
Surface Area(dm ²)		A4	

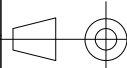
Thread	Hole	Shaft



Side inlet
Yandan Girisli
Zulauf seitlich

Back inlet
Arkadan girisli
Zulauf von hinten

2	1	Cistern	5639-0312	Ceramic	
1	1	WC Pan	5987-0075	Ceramic	
item	Quantity	Part Name	Drawing No	Material	Material Class
		Series	Ceramic	Material Class	
		SENTO	WC Pan		
Drawn By	Controlled By	Approved By	Date	Drawing No	Scale
G.GULTER	N.BALTACI	S.VEDAT SARIGOL	11.05.2017	5987+5639	1/20



This drawing can only be used for the intended purposes. Unauthorized copying is strictly prohibited.

R.S	Description	Date	NAME

VitrA® | ARTEMA®