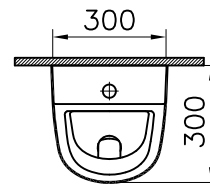
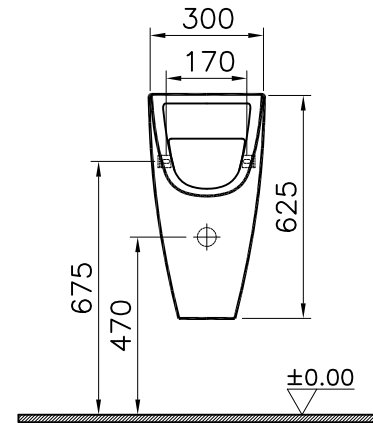
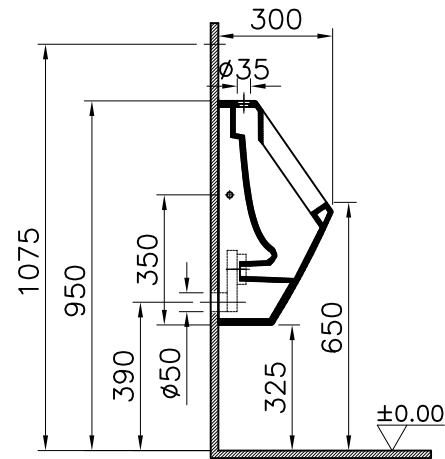


Theoretic Mass(kg)		Revision	
Surface Area(dm <sup>2</sup> )		<b>A4</b>	

Thread	Hole	Shaft



01	Replacas drawing date 12.11.2010	20.12.2012	Gokhan
R.S	Description	Date	NAME

1	1	Urinal	5462-1069	Ceramic			
item	Quantity	Part Name	Drawing No	Material	Material Class		
		Series	Ceramic	Ceramic	Material Class		
		S20	Urinal				
Drawn By		Controlled By	Approved By	Date	Drawing No	Scale	VitrA®   ART <sup>EM</sup> A
G.GULTER		H.TURKOZ	S.VEDAT SARIGUL	12.11.2010	5462		

This drawing can only be used for the intended purposes. Unauthorized copying is strictly prohibited.