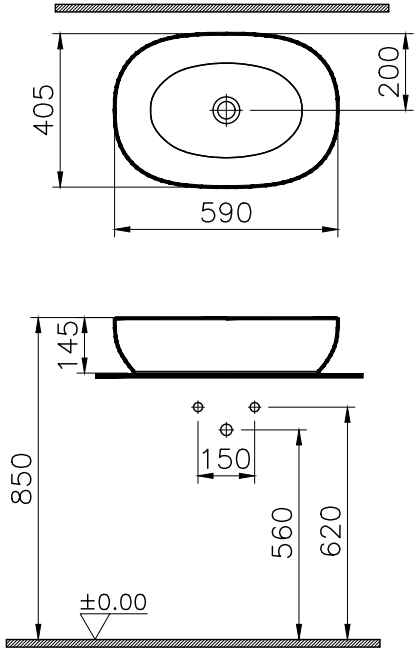


|                                |  |          |  |
|--------------------------------|--|----------|--|
| Theoretic Mass(kg)             |  | Revision |  |
| Surface Area(dm <sup>2</sup> ) |  |          |  |

|        |      |       |
|--------|------|-------|
| Thread | Hole | Shaft |
|        |      |       |



|           |          |               |  |             |  |            |  |                |  |       |  |
|-----------|----------|---------------|--|-------------|--|------------|--|----------------|--|-------|--|
| 1         |          | 1             |  | Washbasin   |  | 5995-0016  |  | Ceramic        |  |       |  |
| No        | Quantity | Part Name     |  | Drawing No  |  | Material   |  | Material Class |  |       |  |
|           |          | Series        |  | Material    |  | Ceramic    |  | Material Class |  |       |  |
| Washbasin |          |               |  |             |  |            |  |                |  |       |  |
| Drawn By  |          | Controlled By |  | Approved By |  | Date       |  | Drawing No     |  | Scale |  |
| G.GULTER  |          | N.BALTACI     |  | V.SARIGOL   |  | 21.10.2016 |  | 5995           |  | 1/20  |  |
| Rev.      |          | Details       |  | Date        |  | Signature  |  |                |  |       |  |

This drawing can only be used for the intended purposes. Unauthorized copying is strictly prohibited.

