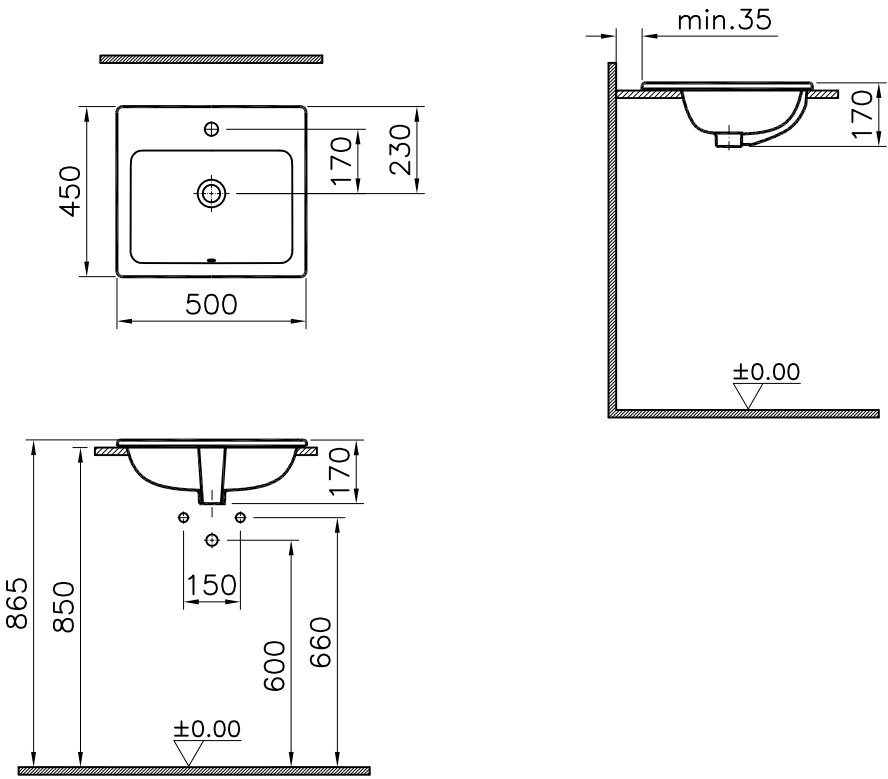


Theoretic Mass(kg)		Revision	
Surface Area(dm ²)		A4	

Thread	Hole	Shaft



1	1	Countertop basin square 50 cm	5464-0001	Ceramic	
item	Quantity	Part Name	Drawing No	Material	Material Class
		S20	Countertop basin square 50 cm	Ceramic	Material Class
Drawn By	Controlled By	Approved By	Date	Drawing No	Scale
G.GULTER	H.TURKOZ	S.VEDAT SARIGOL	16.12.2010	5464	1/20

R.S	Description	Date	NAME

This drawing can only be used for the intended purposes. Unauthorized copying is strictly prohibited.

