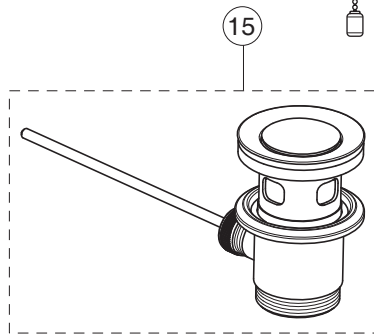
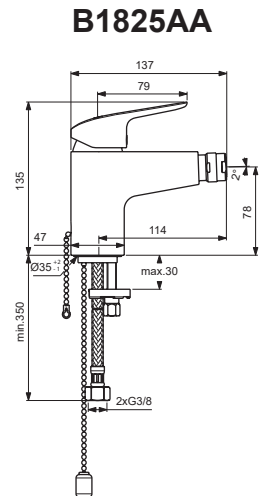
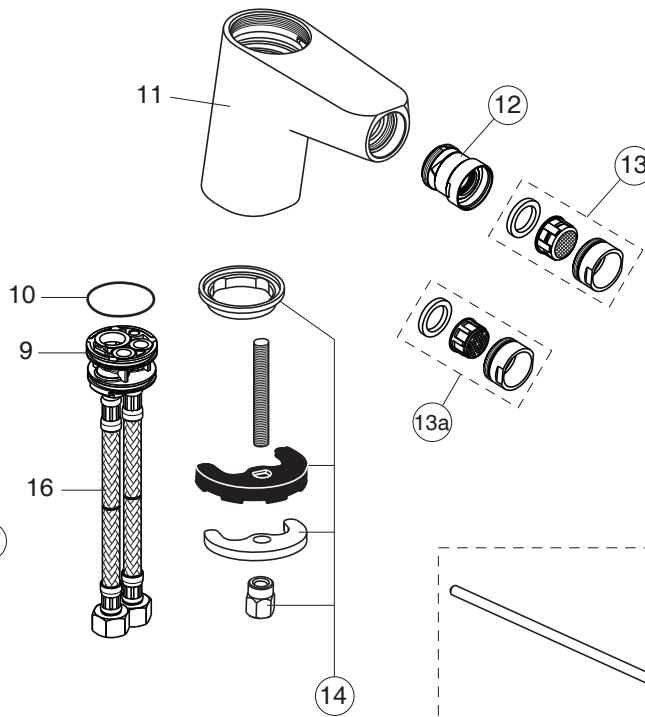
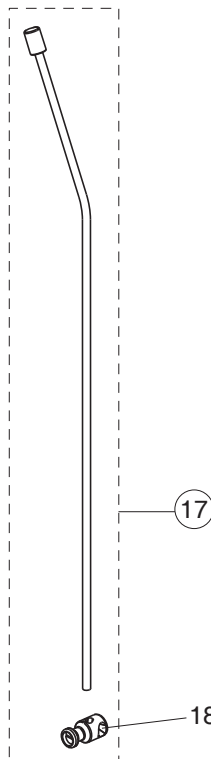
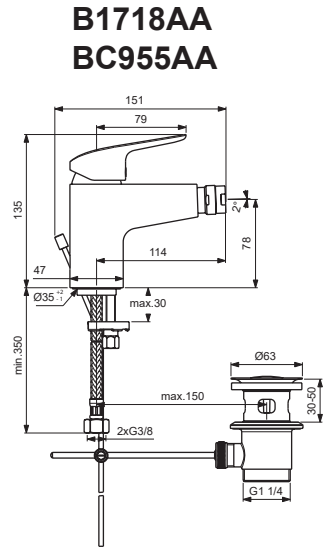
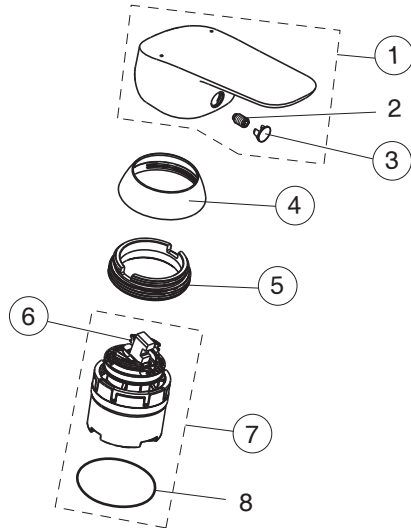
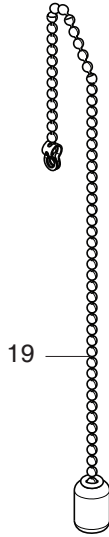




CERAFLEX

Ideal Standard



Pos.	Signify	Spare parts-Nr.	Quantity	Pos.	Signify	Spare parts-Nr.	Quantity
1	Lever,w/logo-set	B961375AA	1 Pcs.	14	Connecting set	A964520NU	1 Set
2	Screw M5x8		1 Pcs.	15	Pop-up drain ass.	A962991AA	1 Pcs.
3	Cap decorative	B960473AA	1 Pcs.	16	Flex pexhose G3/8-Ø10.5/L445		2 Pcs.
4	Rosette M38x1.5	B961373AA	1 Pcs.	17	Pop up waste-compl.	B961384AA	1 Pcs.
5	Screw M41x1.5/M38x1.5	B961374NU	1 Pcs.	18	Pop up waste shackle		1 Pcs.
6	Hot limit stop	A861181NU	1 Pcs.	19	Beaded chain L460mm		1 Pcs.
7	Cartridge Ø38mm	A861156NU*	1 Pcs.				
8	O-Ring Ø38x2.5		1 Pcs.				
9	Manifold		1 Pcs.				
10	O-Ring Ø34x2		1 Pcs.				
11	Body bidet		1 Pcs.				
12	Ball joint M24x1	A960063AA	1 Pcs.				
13	Casc.perlator M24x1-A	A960321AA	1 Pcs.				
13a	Aerator M24x1, 5l/min	B960754AA**	1 Pcs.				

*Universal set (not all parts needed)

** for B1825AA ; BC955AA