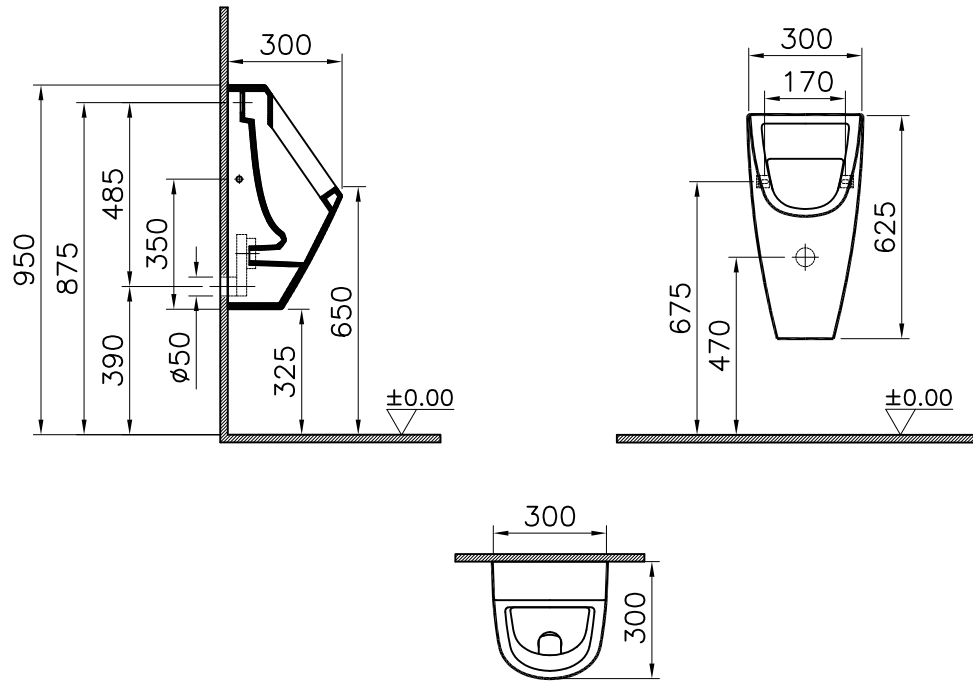


Theoretic Mass(kg)	Revision
Surface Area(dm ²)	A4

Thread	Hole	Shaft



01	Replaces Drawing dated 12.11.2010	20.12.2012	Gokhan
R.S	Description	Date	NAME

1	1	Urinal	5462-0309	Ceramic		
item	Quantity	Part Name	Drawing No	Material	Material Class	
		Series	Ceramic	Material	Material Class	
		S20	Urinal			
Drawn By		Controlled By	Approved By	Date	Drawing No	Scale
G.GULTER		H.TURKOZ	S.VEDAT SARIGUL	12.11.2010	5462	

This drawing can only be used for the intended purposes. Unauthorized copying is strictly prohibited.

VitrA® ART^{EM}A