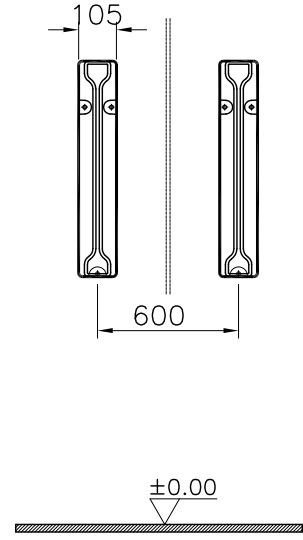
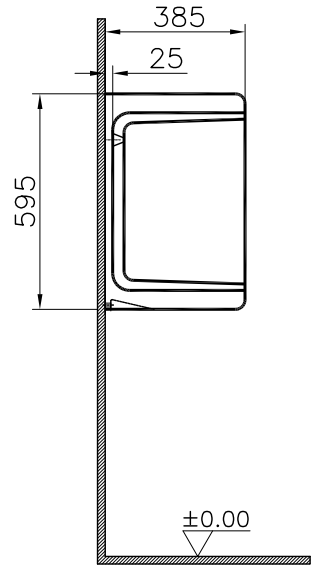


|                                |           |
|--------------------------------|-----------|
| Theoretic Mass(kg)             | Revision  |
| Surface Area(dm <sup>2</sup> ) | <b>A4</b> |

|        |      |       |
|--------|------|-------|
| Thread | Hole | Shaft |
|        |      |       |



CONTROLLED DOCUMENT  
MAINTAIN UPDATED

|     |                                   |            |        |
|-----|-----------------------------------|------------|--------|
| 2   | Replaces drawing dated 12.09.2005 | 09.11.2009 | GOKHAN |
| R.S | Description                       | Date       | NAME   |

|      |           |                  |                  |                |                  |
|------|-----------|------------------|------------------|----------------|------------------|
| 1    | 1         | Urinal separator | 5172             | Ceramic        |                  |
| item | Quantity  | Part Name        | Drawing No       | Material       | Material Class   |
|      |           | Series           | Ceramic          | Material Class |                  |
|      |           | Arkitekt         | Urinal separator |                |                  |
|      | Drawn By  | Controlled By    | Approved By      | Date           | Drawing No       |
|      | U.AYDONER | O.KONEZ          | B.TOPÇU          | 12.09.2005     | 5172             |
|      |           |                  |                  | Scale          | VitrA®   ARTEMA® |
|      |           |                  |                  | 1/20           |                  |

This drawing can only be used for the intended purposes. Unauthorized copying is strictly prohibited.

