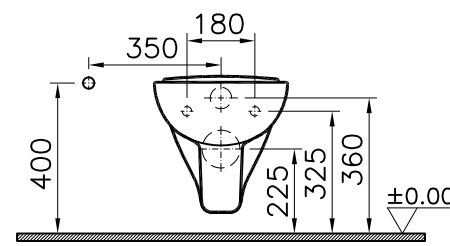
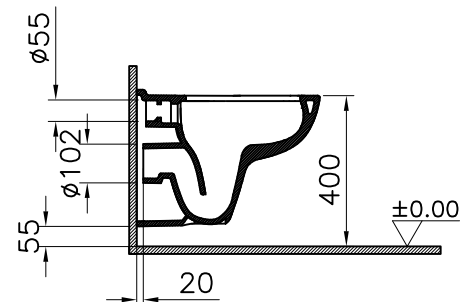
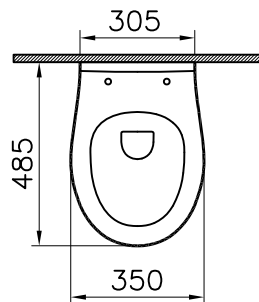
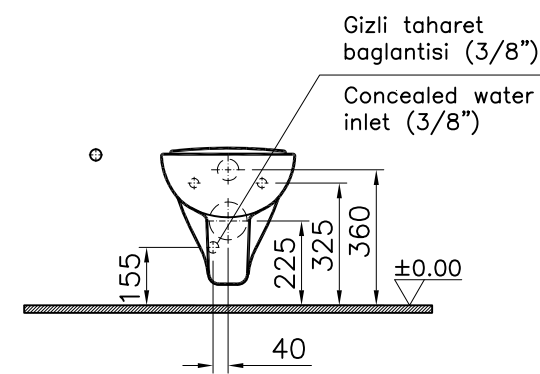


Theoretic Mass(kg)		Revision	
Surface Area(dm <sup>2</sup> )		<b>A4</b>	

Thread	Hole	Shaft

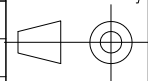


Standart baglanti  
Standard connection  
Standard Verbindung



Gizli baglanti  
Concealed connection  
versteckte Verbindung

1	1	Wall-hung WC pan	7749-0090	Ceramic	
item	Quantity	Part Name	Drawing No	Material	Material Class
		Series	Ceramic	Material	Material Class
Wall-hung WC pan					
Drawn By	Controlled By	Approved By	Date	Drawing No	Scale
G.GULTER	H.TURKOZ	S.VEDAT SARIGOL	10.11.2014	7749	1/20



This drawing can only be used for the intended purposes. Unauthorized copying is strictly prohibited.

R.S	Description	Date	NAME

**VitrA®** ART<sup>EM</sup>A