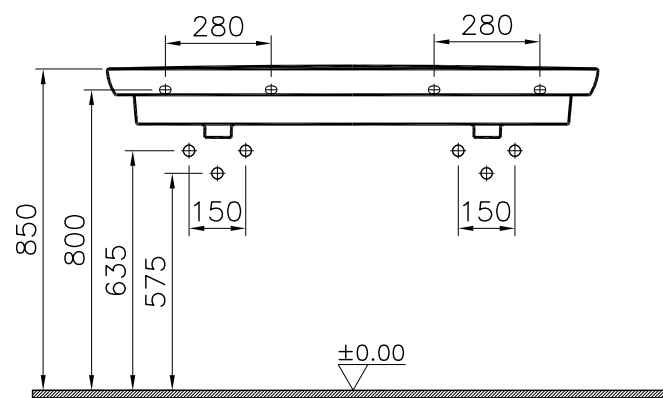
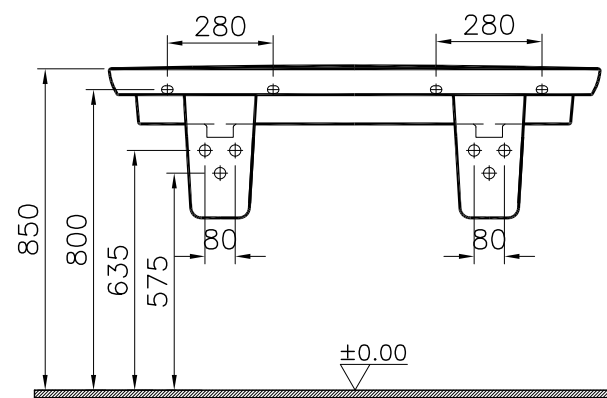
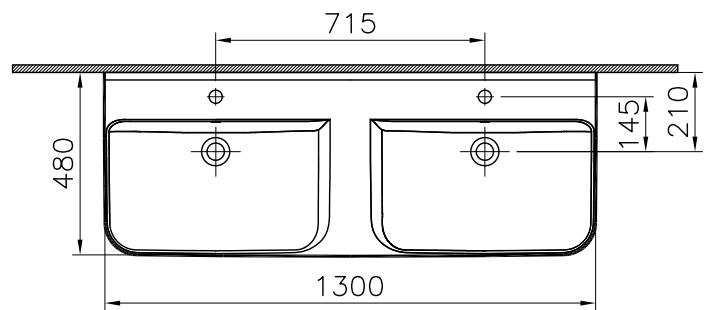


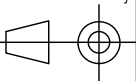
Theoretic Mass(kg)		Revision	
Surface Area(dm <sup>2</sup> )			

Thread	Hole	Shaft



2	1	Trap Cover	5281		
1	1	Washbasin	5949	Ceramic	
No	Quantity	Part Name	Drawing No	Material	Material Class
		Series	Ceramic		
		SENTO	Washbasin		
		Drawn By	Controlled By	Approved By	Date
		G.GULTER	N.BALTACI	V.SARIGOL	21.10.2016
				Drawing No	Scale
				5949+5281	1/20
				VitrA®   ARTEMA®	

Rev.	Details	Date	Signature



This drawing can only be used for the intended purposes. Unauthorized copying is strictly prohibited.