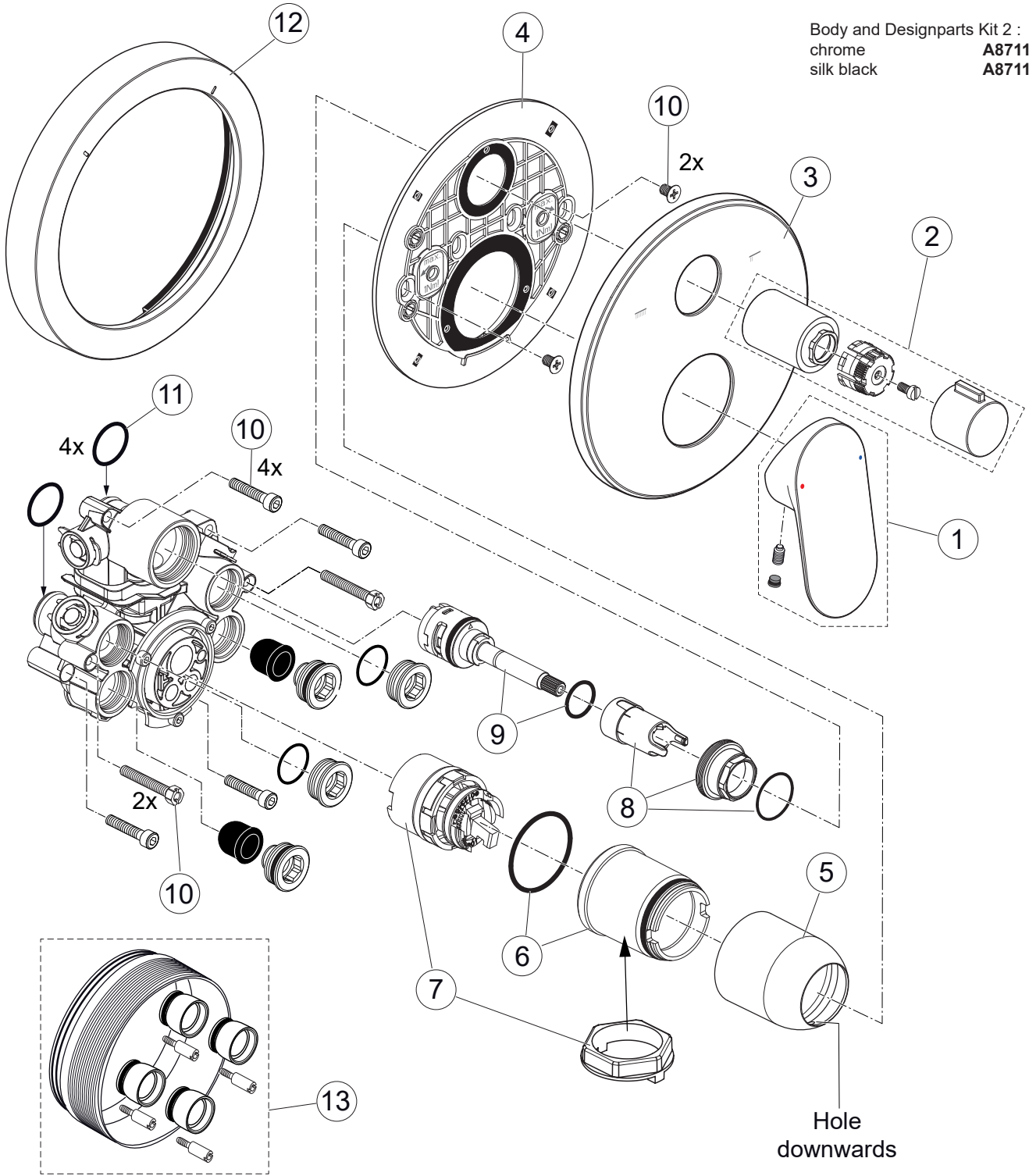


Produced since: Jan. 2026

Pre-installation Kit 1 - **A1000NU**

Body and Designparts Kit 2 :
 chrome **A8711AA**
 silk black **A8711XG**



Replace XX with the appropriate finish code

Chrome = AA Silk Black = XG

Example spare part order:

A 861 880 AA in Chrome

Pos.	Description	Part-Number	Qty.	Pos.	Description	Part-Number	Qty.
1	Lever cpl. w. Logo	B 961 980 XX	1 Set	11	O-ring Ø17x2,5	A 963 143 NU	4 pcs
2	Diverter handle cpl.	A 861 859 XX	1 Set	12	Distanzframe 10mm	A 7851 XX	1 Set
3	Escutcheon B/SH Ø157	A 861 878 XX	1 pcs		Distanzframe 20mm	A 7877 XX	1 Set
4	Escutcheon holder cpl.	A 861 872 NU	1 Set	13	Extension kit 20mm	A 960 704 NU	1 Set
5	Cover cap	A 861 880 XX	1 pcs		Extension kit 40mm	A 962 476 NU	1 Set
6	Screw ring Ø38 cartridge	A 861 874 NU	1 Set	*Universal set (not all parts needed)			
7	Cardridge Ø38 with key	A 861 500 NU*	1 Set				
8	Turning-stop cpl.	A 861 875 NU	1 Set				
9	Diverter cpl.	A 861 861 NU	1 Set				
10	Screw set complete	A 960 890 NU*	1 Set				