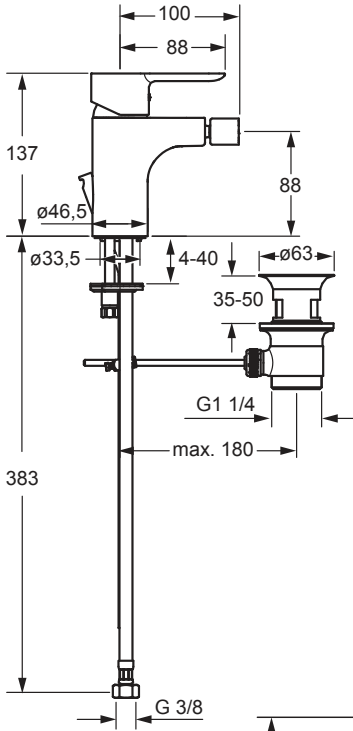


HANSA

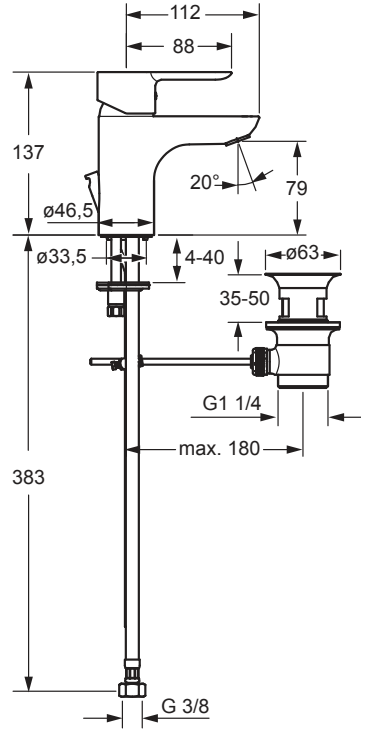
INSTALLATION AND MAINTENANCE GUIDE



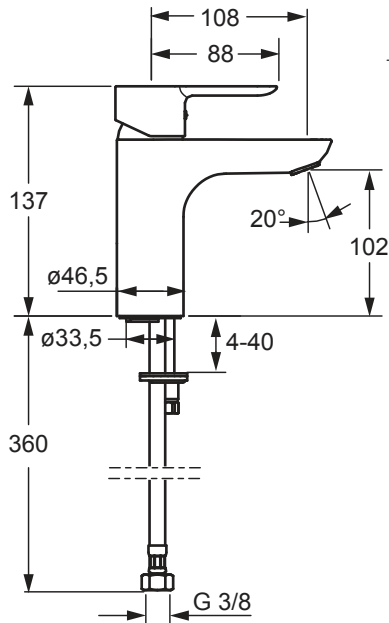
0606 3203



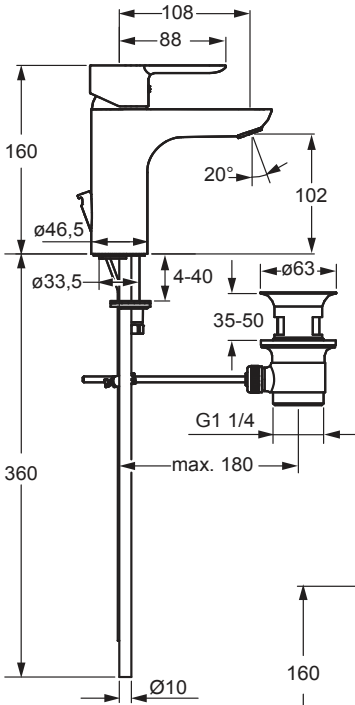
0607 2203



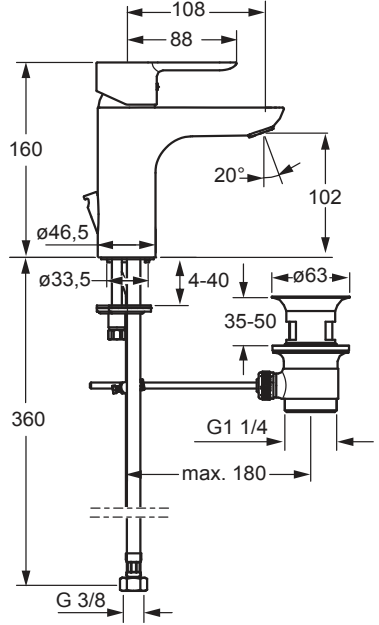
0608 2203



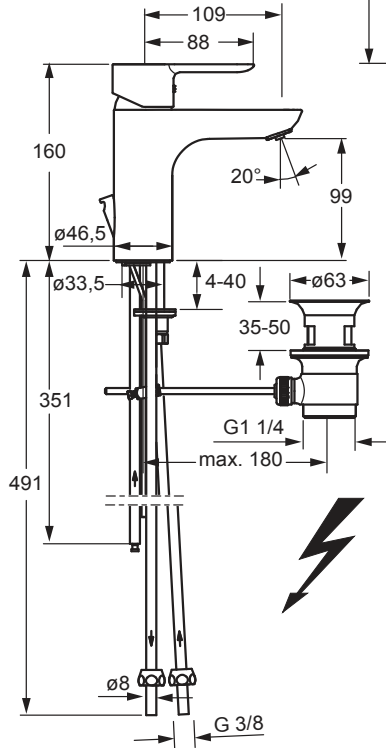
0609 2103



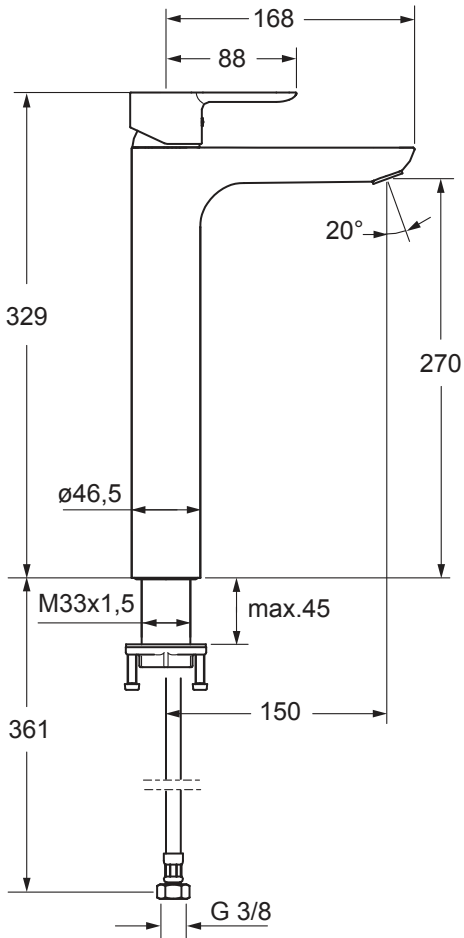
0609 2203



0613 1103



0603 2203



Installation

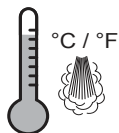
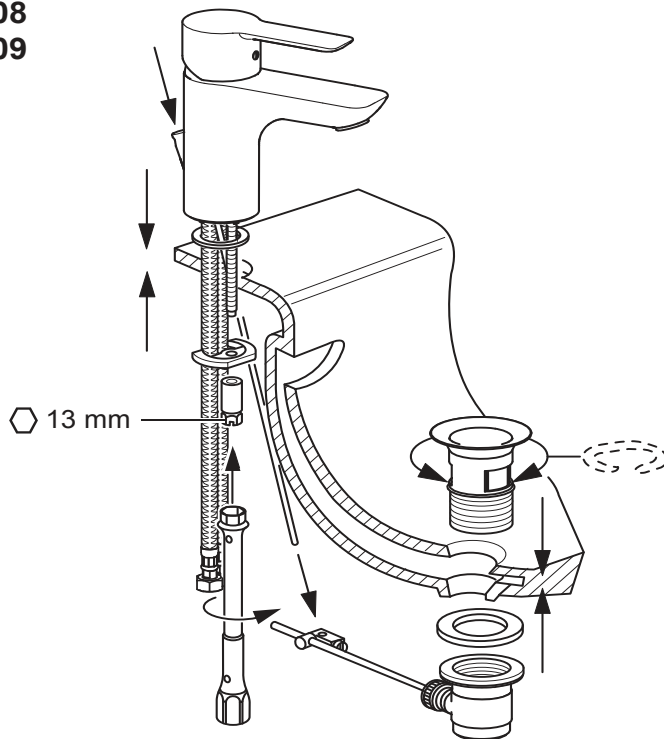
CZ Montáž
DE Montage
ES Montaje

FR Installation
GR Συναρμολόγηση
HU Szerelés

IT Montaggio
NL Installatie
PT Instruções

RO Instalare
SK Inštalácia

0606
0607
0608
0609



opt. 40-65°C / 104-149°F
max. 90°C / 194°F

3 bar



0,3 MPa
(3 bar/43,5 psi)
6 l/min.



10 bar

min. 0,1 MPa (1 bar / 14,5 psi)
opt. 0,3 MPa (3 bar / 43,5 psi)
max. 1,0 MPa (10 bar / 145 psi)

Installation

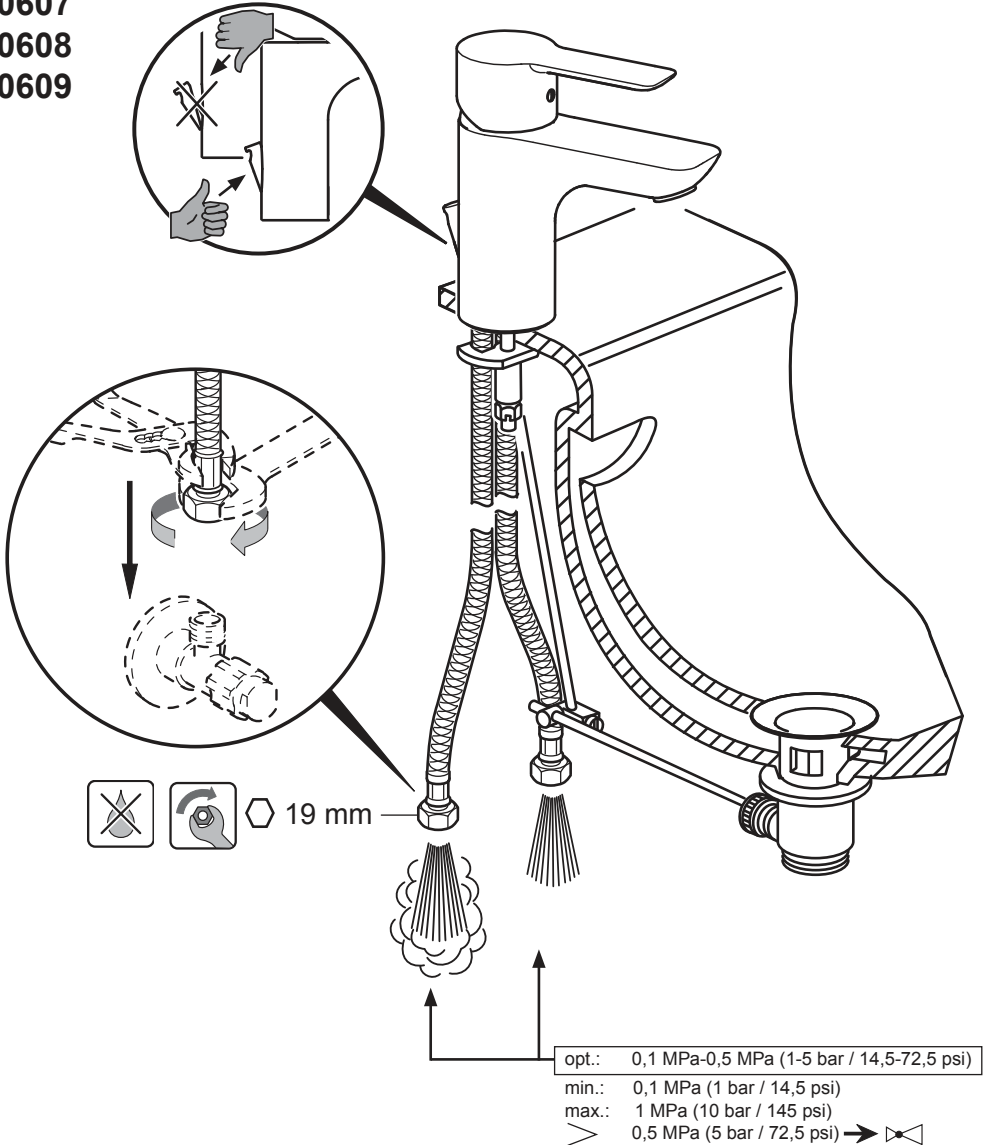
CZ Montáž
DE Montage
ES Montaje

FR Installation
GR Συναρμολόγηση
HU Szerelés

IT Montaggio
NL Installatie
PT Instruções

RO Instalare
SK Inštalácia

0606
0607
0608
0609



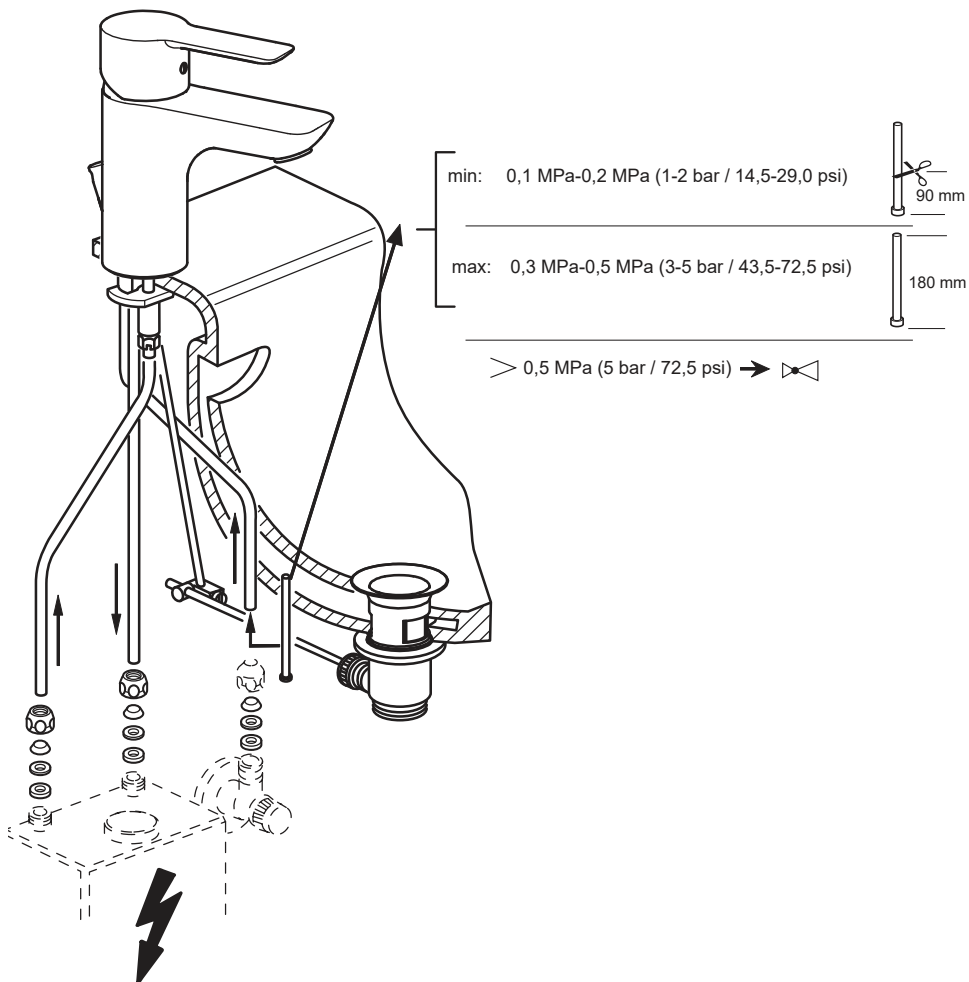
Installation

CZ Montáž
DE Montage
ES Montaje

FR Installation
GR Συναρμολόγηση
HU Szerelés

IT Montaggio
NL Installatie
PT Instruções

RO Instalare
SK Inštalácia



Installation

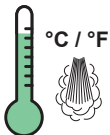
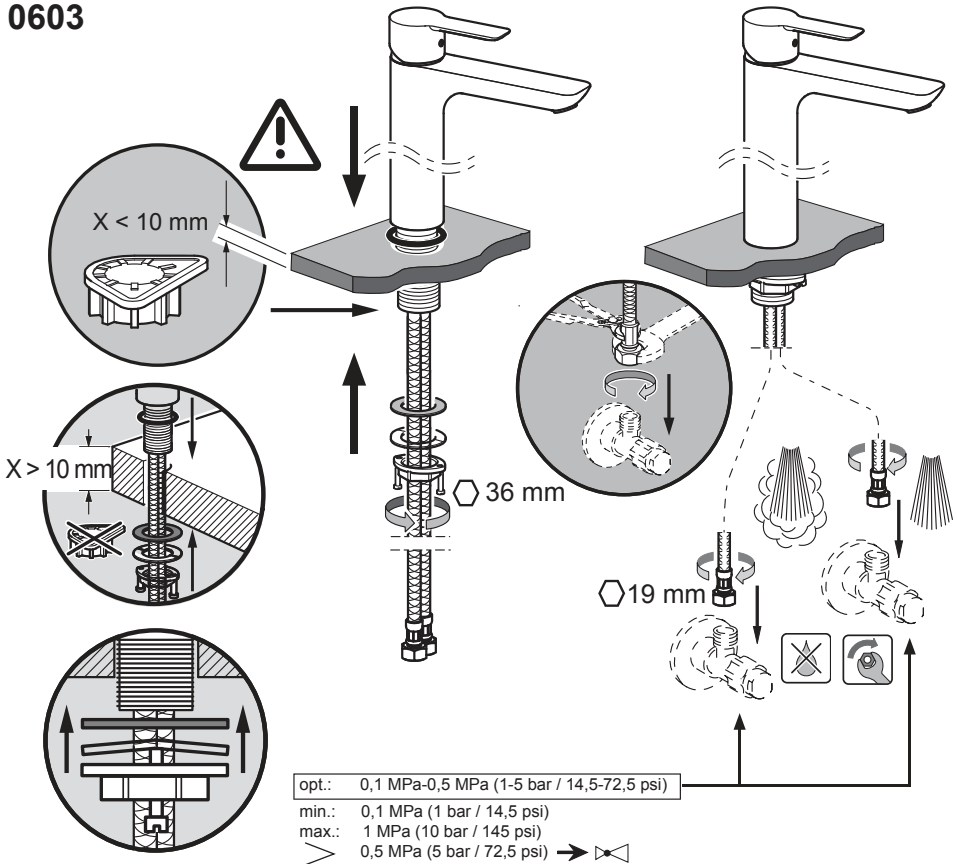
CZ Montáž
DE Montage
ES Montaje

FR Installation
GR Συναρμολόγηση
HU Szerelés

IT Montaggio
NL Installatie
PT Instruções

RO Instalare
SK Inštalácia

0603



opt. 40-65°C / 104-149°F
max. 90°C / 194°F



0,3 MPa
(3 bar/43,5 psi)
6 l/min.



min. 0,1 MPa (1 bar / 14,5 psi)
opt. 0,3 MPa (3 bar / 43,5 psi)
max. 1,0 MPa (10 bar / 145 psi)

Changing the cartridge

CZ Výměna kartuše

DE Wechsel der Patrone

ES Montaje del cartucho

FR Montage et démontage de la cartouche

GR Αντικατάσταση του στοιχείου

HU A patron cseréje

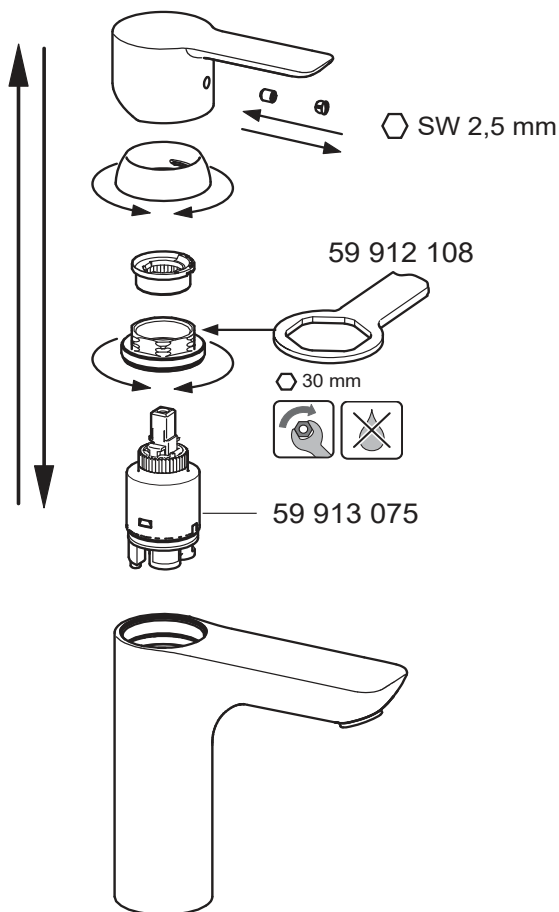
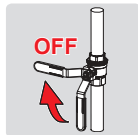
IT Montaggio della cartuccia

NL Vervangen van het keramische binnenwerk

PT Substituição do cartucho

RO Înlocuirea cartuşului

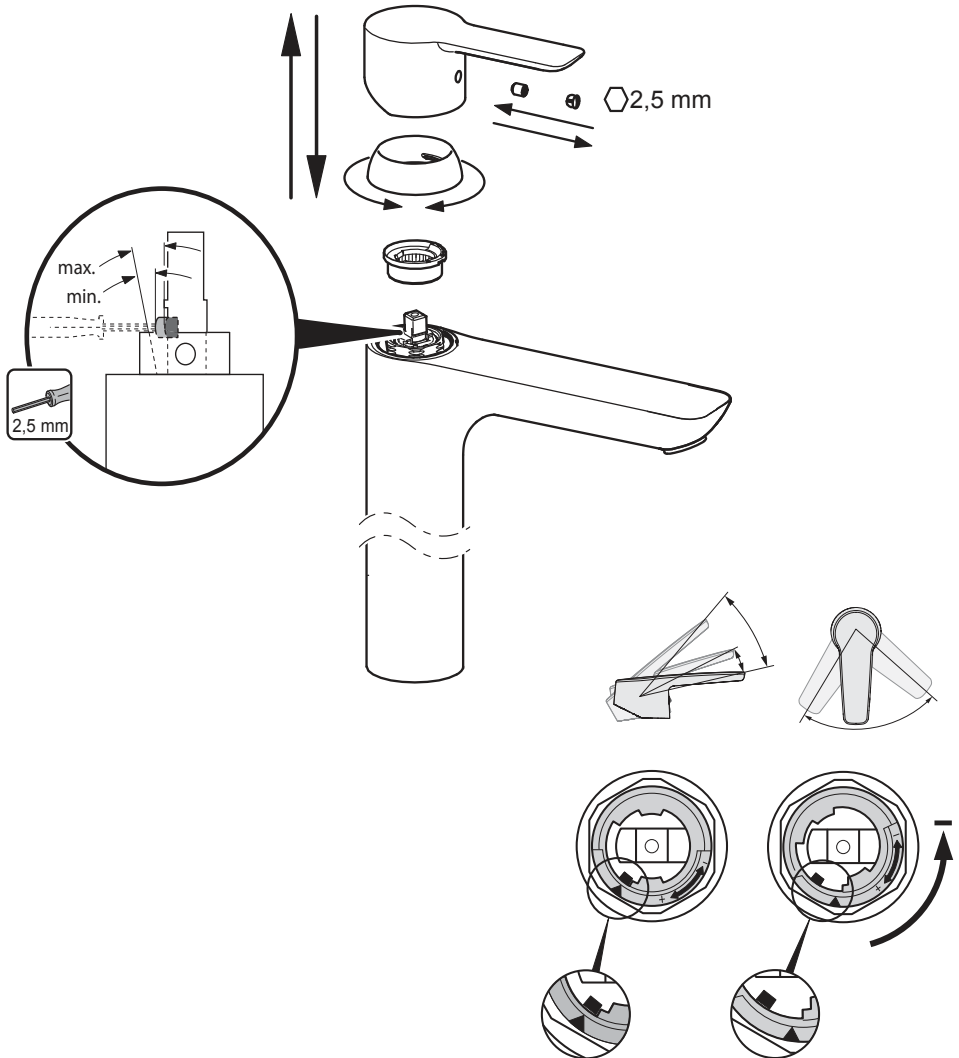
SK Výměna kartuše



Limiting temperature

CZ Omezení teploty vody
DE Temperaturbegrenzung
ES Limitación de la temperatura
FR Limitation de la température
GR Περιορισμός θερμοκρασίας
HU A hőmérséklet határolása

IT Limitazione della temperatura
NL Perlator vervangent
PT Limitar a temperatura
RO Limitarea temperaturii
SK Obmedzenie teploty



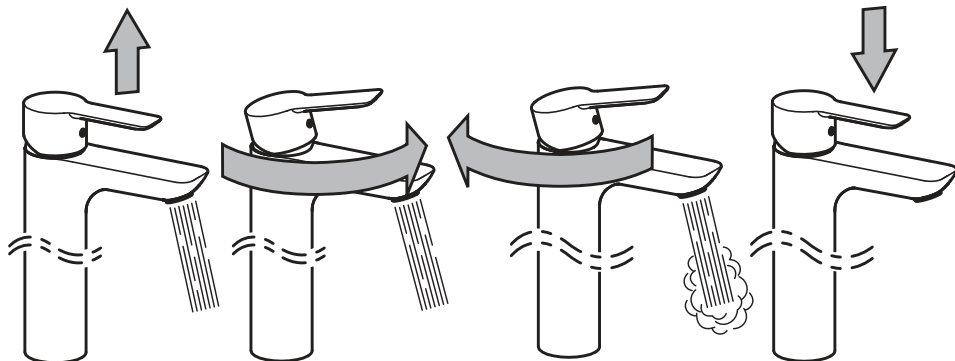
Operation

CZ Funkce
DE Funktion
ES Servicio

FR Utilisation
GR Λειτουργία
HU Üzemeltetés

IT Funzionamento
NL Bediening
PT Funcionamento

RO Funcționare
SK Prevádzka

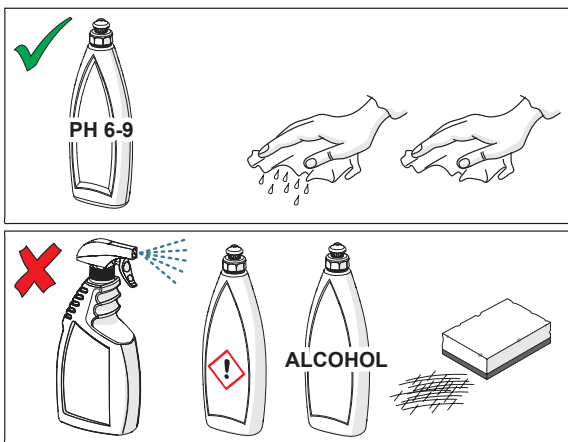
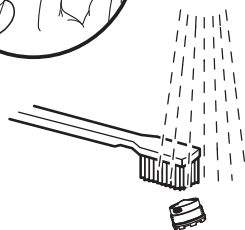
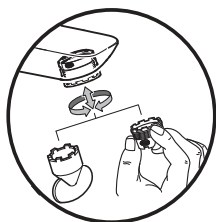


Cleaning the faucet

CZ Čištění baterie
DE Reinigung der Armatur
ES Limpieza de la grifería
FR Nettoyage du robinet

GR Καθαρισμός του βρύση
HU Takarítás a csapot
IT Pulizia della rubinetteria
NL Reinigen van de kraan

PT Limpeza da torneira
RO Curățire
SK Čistenie vodovodnej batérie



Oras Group is a powerful European provider of sanitary fittings: the market leader in the Nordics and a leading company in Continental Europe. The company's mission is to make the use of water easy and sustainable and its vision is to become the European leader of advanced sanitary fittings. Oras Group has two strong brands, Oras and Hansa.

The head office of the Group is located in Rauma, Finland, and the Group has four manufacturing sites: Burglengenfeld (Germany), Kralovice (Czech Republic), Olesno (Poland) and Rauma (Finland). Oras Group employs approximately 1400 people in twenty countries. Oras Group is owned by Oras Invest, a family company and an industrial owner.

HANSA Armaturen GmbH
P. O. BOX 81 02 40
D-70519 Stuttgart

Sigmaringer Strasse 107
D-70567 Stuttgart
Tel.: +49 711 16 14 0
Fax: +49 711 16 14 368
info@hansa.de

www.hansa.com



a member of  Orasgroup