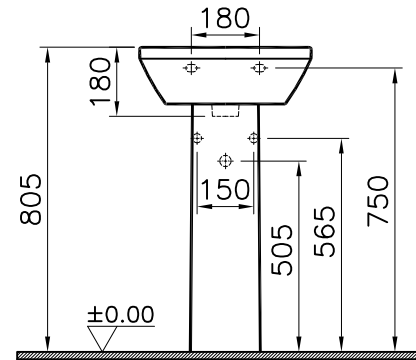
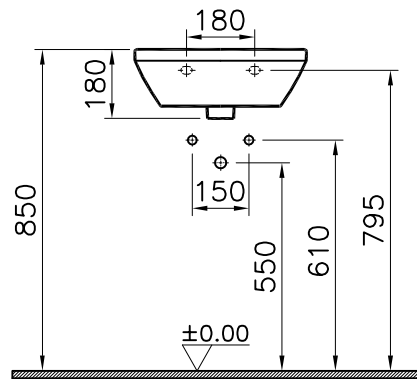
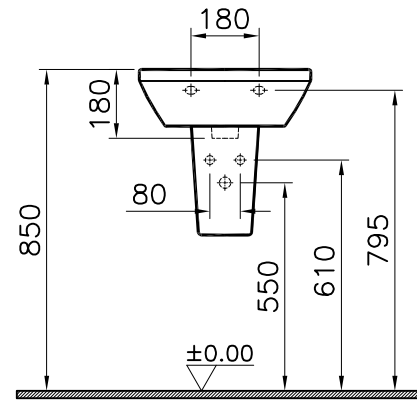
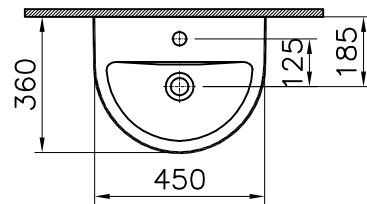


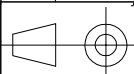
Theoretic Mass(kg)		Revision	
Surface Area(dm <sup>2</sup> )		<b>A4</b>	

Thread	Hole	Shaft



3	1	Pedestal	6936-0156	Ceramic				
2	1	Trap Cover (Small)	5315-0156	Ceramic				
1	1	Washbasin	7065-0001	Ceramic				
item	Quantity	Part Name	Drawing No	Material	Material Class			
		Series	Material	Ceramic	Material Class			
		S80	Washbasin					
		Drawn By	Controlled By	Approved By	Date	Drawing No	Scale	VitrA®   ART <sup>EM</sup> A
		G.GULTER	N.BALTACI	V.SARIGOL	12.09.2017	7065	1/20	

R.S	Description	Date	NAME



This drawing can only be used for the intended purposes. Unauthorized copying is strictly prohibited.