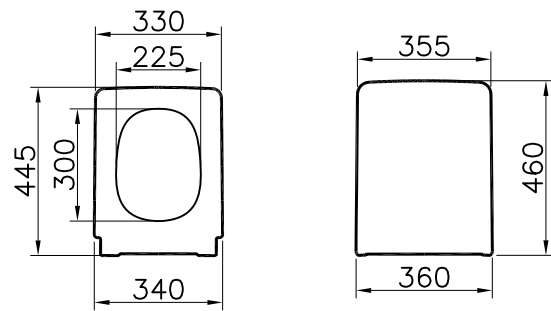


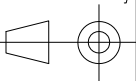
Theoretic Mass(kg)		Revision	
Surface Area(dm ²)		A4	

Thread	Hole	Shaft



1	1	Toilet Seat	96-XXX	DUROPLAST	
item	Quantity	Part Name	Drawing No	Material	Material Class
		Series	DUROPLAST		Material Class
		SHIFT	Toilet Seat		
Drawn By	Controlled By	Approved By	Date	Drawing No	Scale
G.GULTER	A.EROGLU	S.VEDAT SARIGOL	12.12.2013	96-XXX	1/20

R.S	Description	Date	NAME



This drawing can only be used for the intended purposes. Unauthorized copying is strictly prohibited.

VitrA® ART^{EM}A