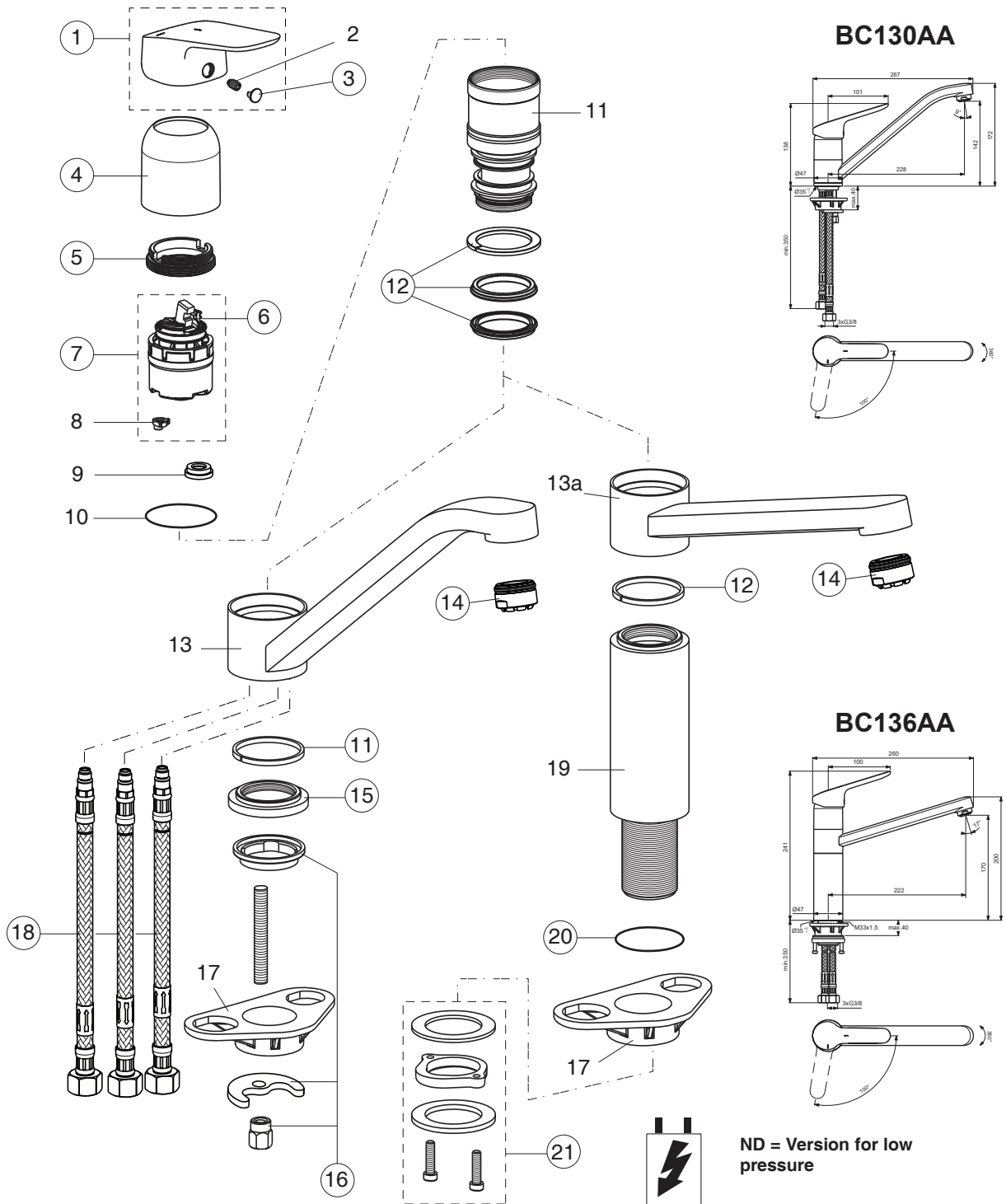




CERAFLEX

Ideal Standard



Pos.	Signify	Spare parts-Nr.	Quantity	Pos.	Signify	Spare parts-Nr.	Quantity
1	Lever, w/logo-set	B961461AA	1 Pcs.	14	Flow liner M24x1,ND	A960935AA	1 Pcs.
2	Screw M5x8		1 Pcs.	15	Rosette decorative	B961430AA	1 Pcs.
3	Cap decorative	B960473AA	1 Pcs.	16	Connecting set	A964520NU	1 Set
4	Rosette	B961431AA	1 Pcs.	17	U plate support bracket fixing kit		1 Pcs.
5	Screw M41x1.5/M38x1.5	B961374NU	1 Pcs.	18	Flex pexhose G3/8 M8x1/L500	A962005NU	1 Pcs.
6	Hot limit stop	A861181NU	1 Pcs.	19	Distance bushing w/shank	A962574NU	1 Pcs.
7	Cartridge Ø38mm	A861156NU*	1 Pcs.	20	O-Ring Ø37.77x2.62	A960255NU	1 Pcs.
8	Pin		1 Pcs.	21	Connecting group		1 Set
9	Flow limiter,ND		1 Pcs.				
10	O-Ring Ø39.1x1.3		1 Pcs.				
11	Manifold		1 Pcs.				
12	Sealing set	B960784NU	1 Pcs.				
13	Body kitchen-low		1 Pcs.				
13a	Body kitchen-high		1 Pcs.				

*Universal set (not all parts needed)