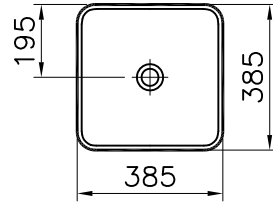
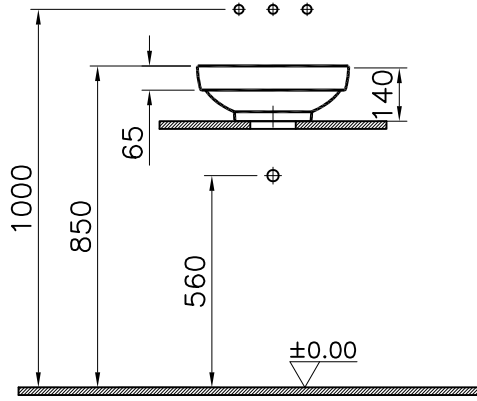


| | | | |
|--------------------------------|--|-----------|--|
| Theoretic Mass(kg) | | Revision | |
| Surface Area(dm ²) | | A4 | |

| | | |
|--------|------|-------|
| Thread | Hole | Shaft |
| | | |



| | | | | | |
|------|-----------------------------------|----------------------------------|----------------------------------|------------|----------------|
| 1 | 1 | Undercounter Circular bowl 40 cm | 4441 | Ceramic | |
| item | Quantity | Part Name | Drawing No | Material | Material Class |
| | | Series | Material | Ceramic | Material Class |
| | | Water Jewels | Undercounter Circular bowl 40 cm | | |
| 01 | Replaces Drawing dated 09.12.2011 | 27.09.2012 | Gokhan | Drawn By | Controlled By |
| R.S | Description | Date | NAME | G.GULTER | H.TURKOZ |
| | | Approved By | Date | Drawing No | Scale |
| | | S.VEDAT SARIGOL | 09.12.2011 | 4441 | 1/20 |

This drawing can only be used for the intended purposes. Unauthorized copying is strictly prohibited.

