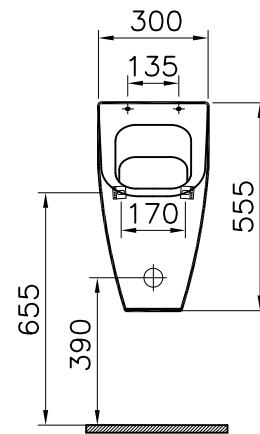
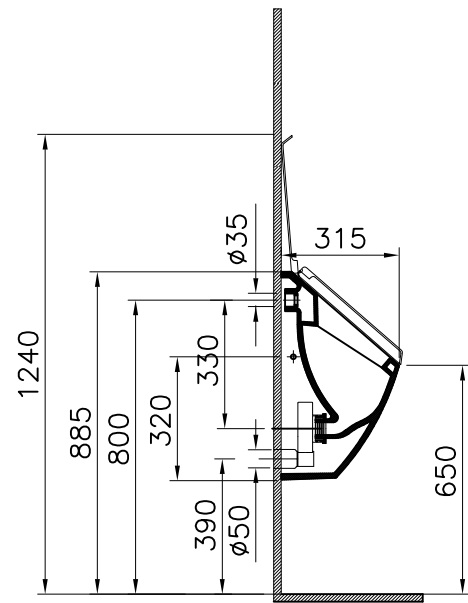


Theoretic Mass(kg)		Revision	
Surface Area(dm <sup>2</sup> )		<b>A4</b>	

Thread	Hole	Shaft



06	Replaces drawing dated 03.10.2008	04.09.2013	Gokhan
R.S	Description	Date	NAME

1	1	Urinal	5218+0200	Ceramic			
item	Quantity	Part Name	Drawing No	Material	Material Class		
		Series	Ceramic	Material Class			
		Retro	Urinal				
Drawn By		Controlled By	Approved By	Date	Drawing No	Scale	VitrA®   ARTEMA®
U.AYDONER		O.KONEZ	B.TOPÇU	03.10.2008	5218/EX	1/20	

This drawing can only be used for the intended purposes. Unauthorized copying is strictly prohibited.

