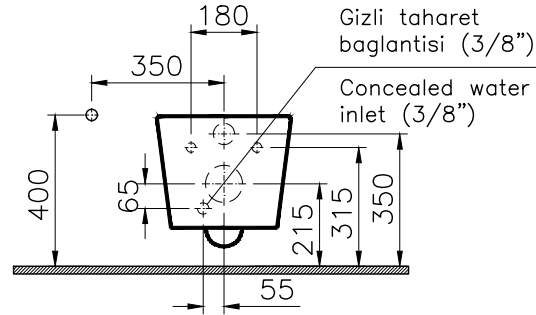
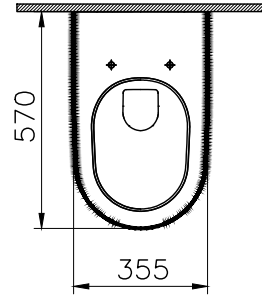
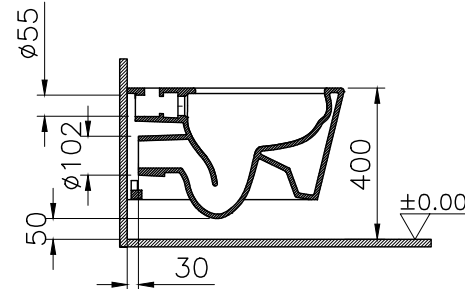


Theoretic Mass(kg)		Revision	
Surface Area(dm <sup>2</sup> )		<b>A4</b>	

Thread	Hole	Shaft



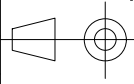
Gizli bağlantı  
Concealed connection  
versteckte Verbindung



\*Duvar kalınlığına göre ilave boru gerekebilir.  
\*Additional pipe may be required due to wall thickness  
\*Ein zusätzliches Abflrohr ist je nach Wandstärke erforderlich

1	1	Wall-hung WC pan	5176-0090	Ceramic	
item	Quantity	Part Name	Drawing No	Material	Material Class
		Series	Ceramic	Material	Material Class
		NEST	Wall-hung WC pan		
Drawn By	Controlled By	Approved By	Date	Drawing No	Scale
G.GULTER	R.HOCAOGLU	N.BALTACI	13.10.2015	5176	1/20

R.S	Description	Date	NAME



This drawing can only be used for the intended purposes. Unauthorized copying is strictly prohibited.

**VitrA<sup>®</sup> ART<sup>®</sup>EMA**