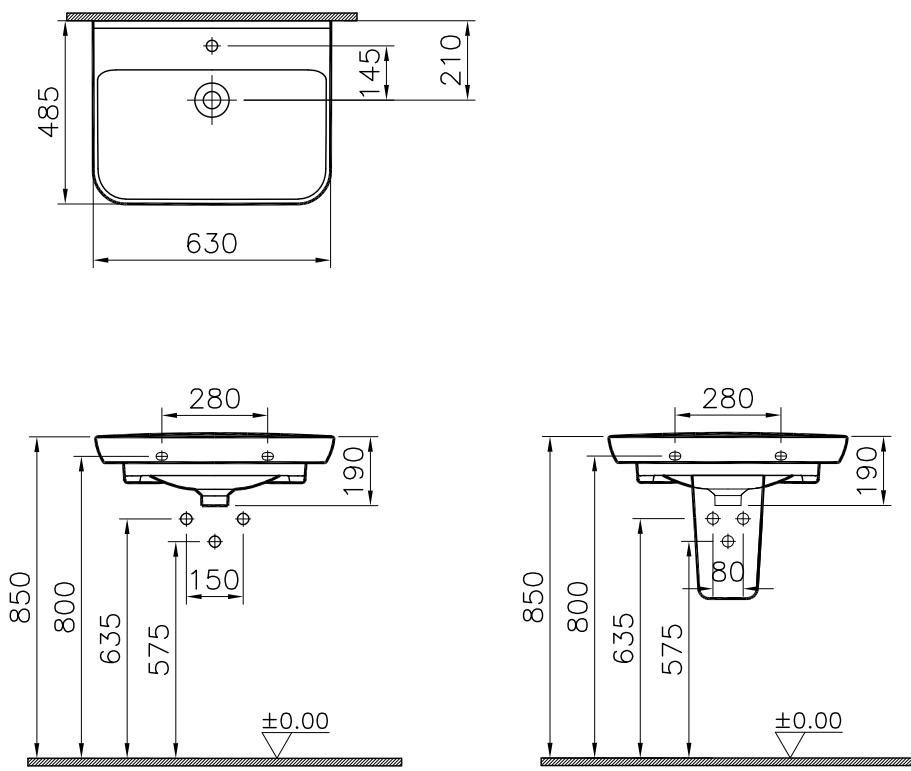


Theoretic Mass(kg)		Revision	
Surface Area(dm ²)			

Thread	Hole	Shaft



2	1	Trap Cover	5281		
1	1	Washbasin	5946	Ceramic	
No	Quantity	Part Name	Drawing No	Material	Material Class
		SENTO	Ceramic	Washbasin	
		<small>This drawing can only be used for the intended purposes. Unauthorized copying is strictly prohibited.</small>			
Drawn By	Controlled By	Approved By	Date	Drawing No	Scale
G.GULTER	N.BALTACI	V.SARIGOL	21.10.2016	5946+5281	1/20

Rev.	Details	Date	Signature

VitrA® ART^{EM}A