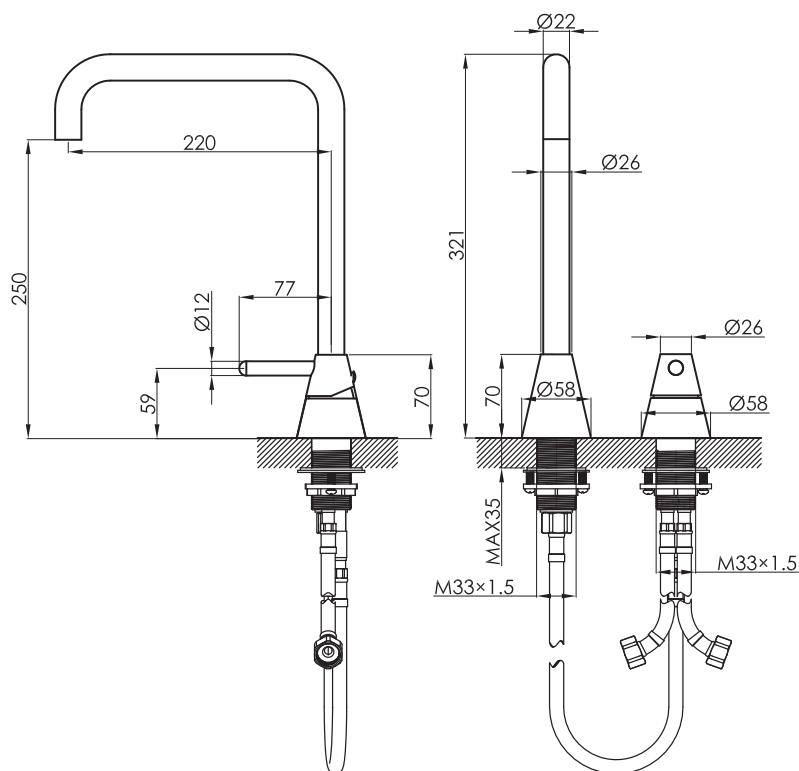




JEE-O cone 2 hole mixer set high



Article code:	900-1770 ● Brushed 900-1776 ● PVD coated gun metal	Connection:	2 x G 1/2" (Ø15mm / 0.6") nylon ^(out) /epdm ⁽ⁱⁿ⁾ flexhose with brass swivel British Standard Pipe (BSP)
Material:	Stainless Steel r304	Thread:	
Cleaning instructions:	download JEE-O shower and taps manual on our website: www.jee-o.com	Dimension package:	L 47 x W 32 x H 10 cm
Cartridge:	Sedal/Kerox ceramic mixing cartridge (35mm), item code 005-0101	Total weight:	2.4 kg
Flow at water of 38°C:	10l p/m at 3Bar pressure	Package weight:	0.4 kg
Pressure:	Recommended working pressure 3Bar	2 year warranty - The general conditions can be found on our website: www.jee-o.com/downloads	
		HS code:	84248970