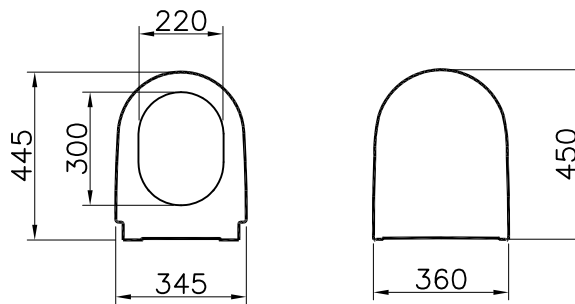


Theoretic Mass(kg)		Revision	
Surface Area(dm ²)		A4	

Thread	Hole	Shaft



1	1	Toilet Seat	89-XXX	DUROPLAST	
item	Quantity	Part Name	Drawing No	Material	Material Class
		Series	Material	DUROPLAST	Material Class
		FLOW	Toilet Seat		
	Drawn By	Controlled By	Approved By	Date	Drawing No
	H.BALTA	A.EROGLU	S.VEDAT SARIGOL	15.11.2012	89-XXX
	Date	NAME	Scale	VitrA® ARTEMA®	
	R.S	Description	1/20		

This drawing can only be used for the intended purposes. Unauthorized copying is strictly prohibited.

