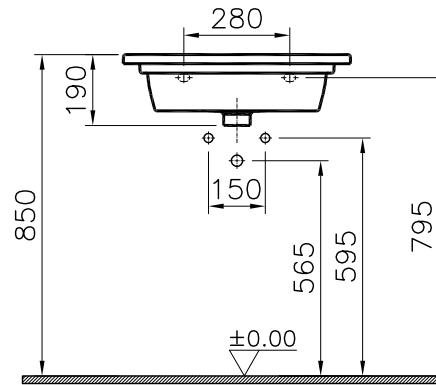
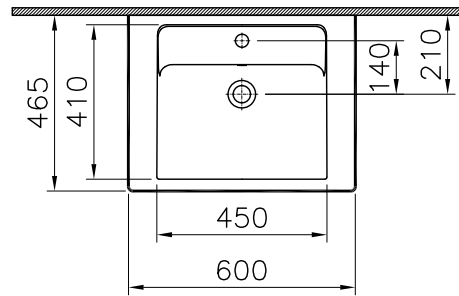


Theoretic Mass(kg)		Revision	
Surface Area(dm ²)		A4	

Thread	Hole	Shaft



1	1	Washbasin		7055-0001	Ceramic				
item	Quantity	Part Name		Drawing No	Material	Material Class			
		Series	Material	Ceramic	Material Class				
		S80	Washbasin						
		Drawn By	Controlled By	Approved By	Date	Drawing No	Scale	VitrA® ARTEMA®	
		G.GULTER	N.BALTACI	V.SARIGOL	11.09.2017	7055	1/20		

R.S	Description	Date	NAME