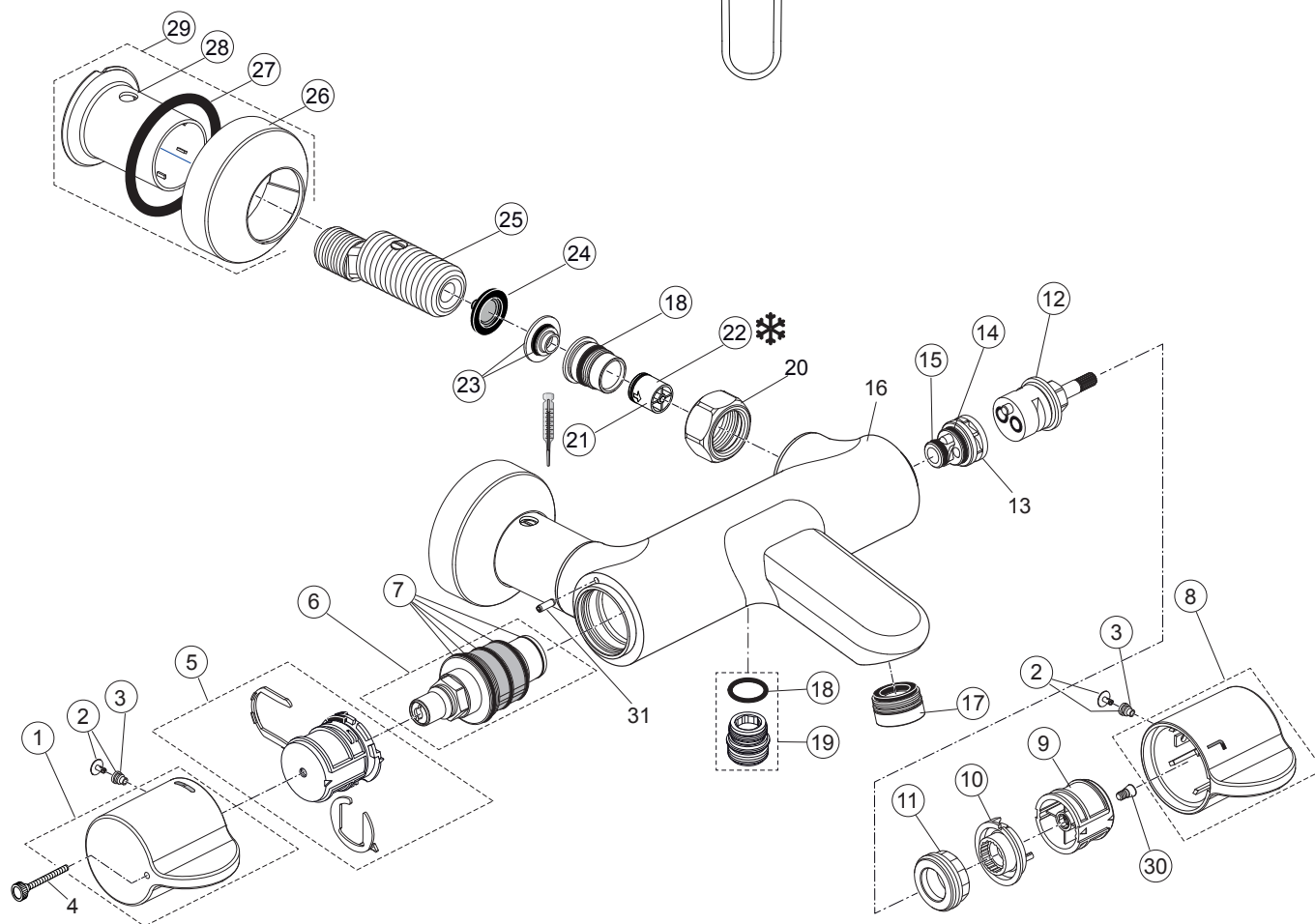
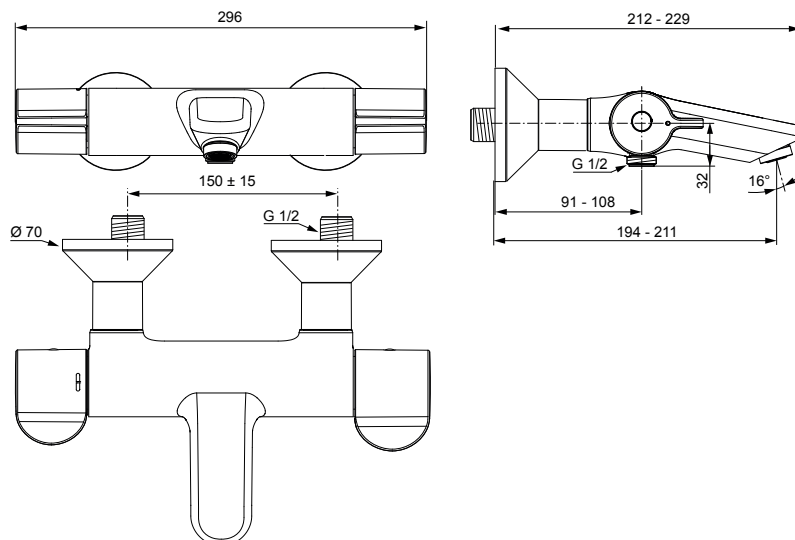


Produced from: **April 2017**

Thermostat with
function desinfection
with on/off S-connector



Pos.	Description	Part-Number	Qty.	Pos.	Description	Part-Number	Qty.
1	Handle for Temp. cpl.	A 861 195 AA	1 Set	17	Aerator M24 x 1 + Key	F 961 082 AA	1 Set
2	Handle cap + screw	A 962 149 AA*	1 pcs	18	O - ring Ø 17 x 2	A 961 810 NU	2 pcs
3	Screw M5x5	A 961 095 NU	1 pcs	19	Nipple complete G1/2	A 963 651 NU	1 pcs
4	Knurled head screw M3x30			20	Coupling nut G3/4 - SW30		
5	Temp. adjustment cpl.	A 963 427 NU	1 Set	21	Non-return valve (Hot water)	F 960 942 NU	1 pcs
6	Thermostatic Cartridge	A 962 229 NU	1 pcs	22	Non-return valve (Cold water)	N 042 977 NU	1 pcs
7	Repair-Set Cartridge	A 962 230 NU	1 Set	23	Isolation ring	A 861 197 NU	2 Set
8	Volume control handle cpl.	A 861 198 AA	1 Set	24	Strainer (screen)	A 962 595 NU	2 pcs
9	Handle insert (Set)	A 963 432 NU*	1 Set	25	On/off S-connector	B 960 607 AT	1 pcs
10	Volume control stop ring	A 962 563 NU*	1 Set	26	Escutcheon	A 960 599 AA	1 pcs
11	Thread ring M34 x 1,5			27	O-ring Ø 53,5 x 5	A 963 840 NU	1 pcs
12	Stop valve with diverter	A 962 568 NU*	1 Set	28	Escutcheon inside	A 961 927 AA	1 pcs
13	Manifold diverter			29	Escutcheon cpl.	B 960 575 AA	2 Set
14	O - ring Ø 18,77 x 1,78	A 962 529 NU	1 pcs	30	Screw M4	A 961 337 NU	1 pcs
15	O - ring Ø 12,42 x 1,78	A 961 332 NU	2 pcs	31	Pin 3x10mm DIN 1474		
16	Body						

* Universal-Set (not all parts needed)