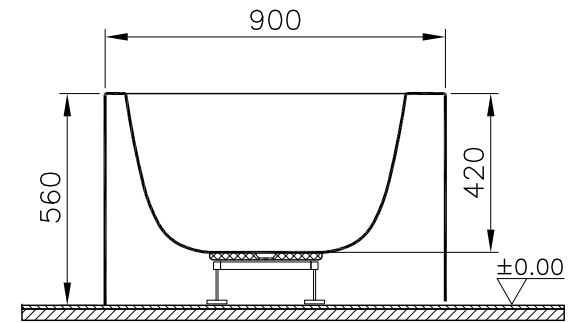
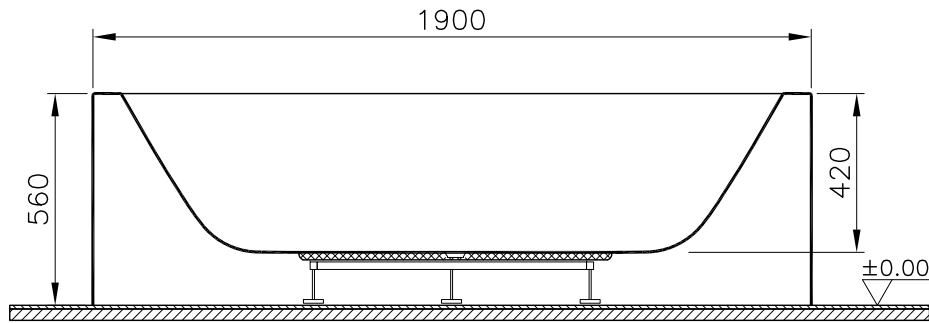
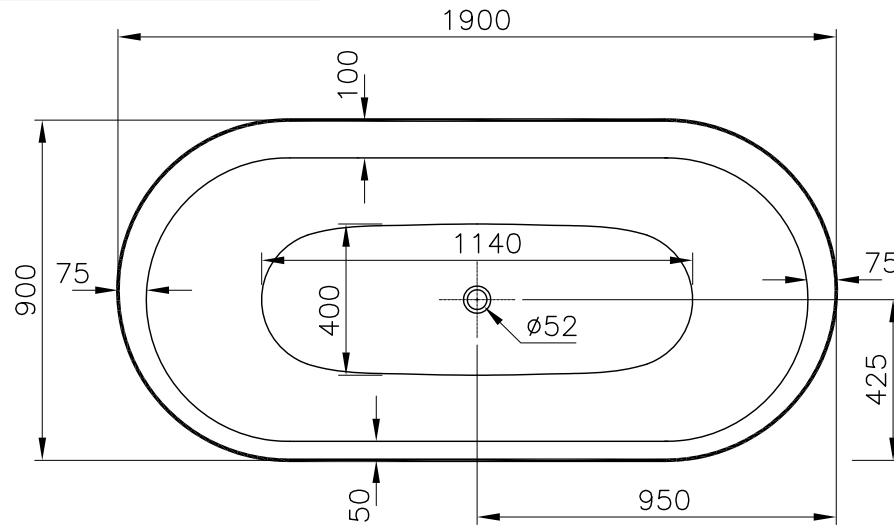


Theoretic Mass(kg)	Revision
Surface Area(dm <sup>2</sup> )	<b>A4</b>

Thread	Hole	Shaft



1	1	Part Name		Drawing No	Material	Material Class
Item	Quantity	Series		Material	Material Class	
	This drawing can only be used for the intended purposes. Unauthorized copying is strictly prohibited.		Istanbul			
Drawn By		Controlled By		Approved By	Date	Drawing No
Serpil Sengör						Scale
Date		NAME				1/20
01.06.2011		5300				<b>VitrA® ARTEMA®</b>

1	Istanbul Oval 190x90	01.06.2011	5300
R.S	Description	Date	NAME