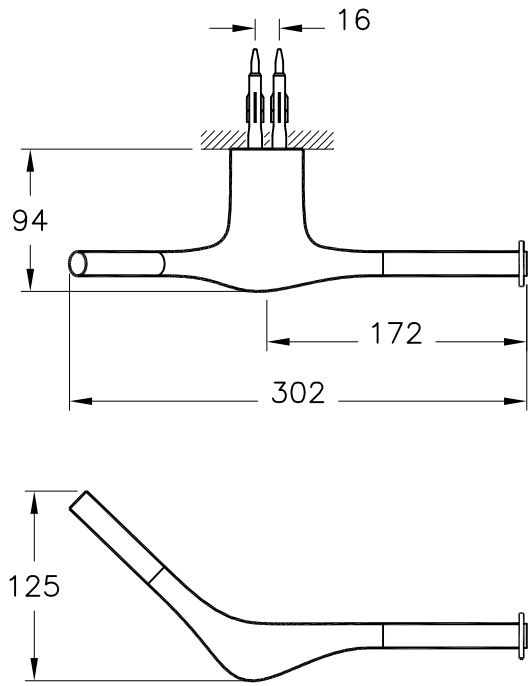


Theoretic Mass(kg)		Revision	
Surface Area(dm <sup>2</sup> )		<b>A4</b>	

Thread	Hole	Shaft



				1	1	Roll Holder	A48001		
				item	Quantity	Part Name	Drawing No	Material	Material Class
						Series	Material	Material Class	
						ISTANBUL	Roll Holder		
				Drawn By	Controlled By	Approved By	Date	Drawing No	Scale
R.S	Description	Date	NAME	T. CETINEL	E. OZTURK	E. TALSİK	08.08.2011	A48001	1/5

This drawing can only be used for the intended purposes. Unauthorized copying is strictly prohibited.

