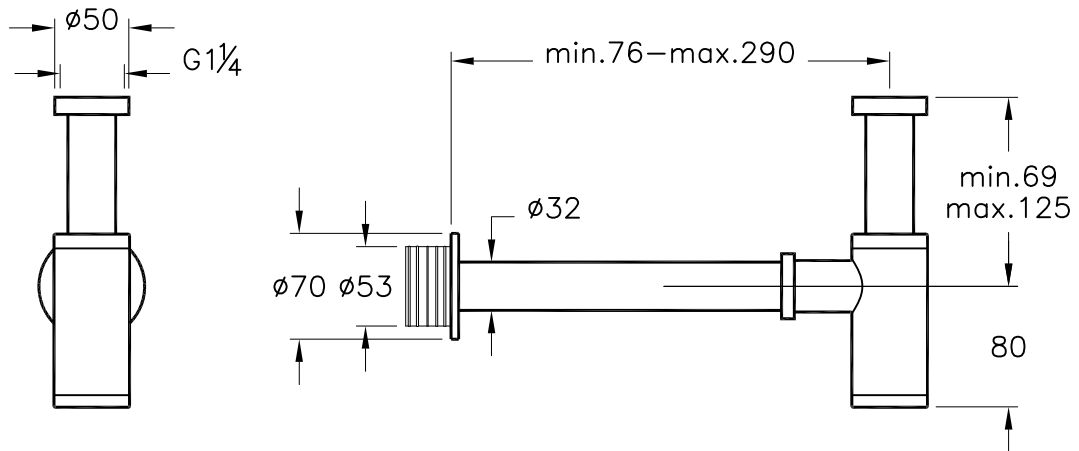
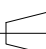



Theoretic Mass(kg)		Revision	
Surface Area(dm ²)		A4	

Thread	Hole	Shaft



				1	1	Bottle Trap for Basins	A45123	bul		
				item	Quantity	Part Name	Drawing No	Material	Material Class	
						Series	Material	Material Class		
				Bottle Trap for Basins						
				Drawn By	Controlled By	Approved By	Date	Drawing No	Scale	
				T. CETINEL	G.SAYLISOY	E. TALSİK	19.07.2011	A45123	1/5	
R.S	Description	Date	NAME	VitrA® ARTEMA®						

This drawing can only be used for the intended purposes. Unauthorized copying is strictly prohibited.