



TERMA

SINCE 1990

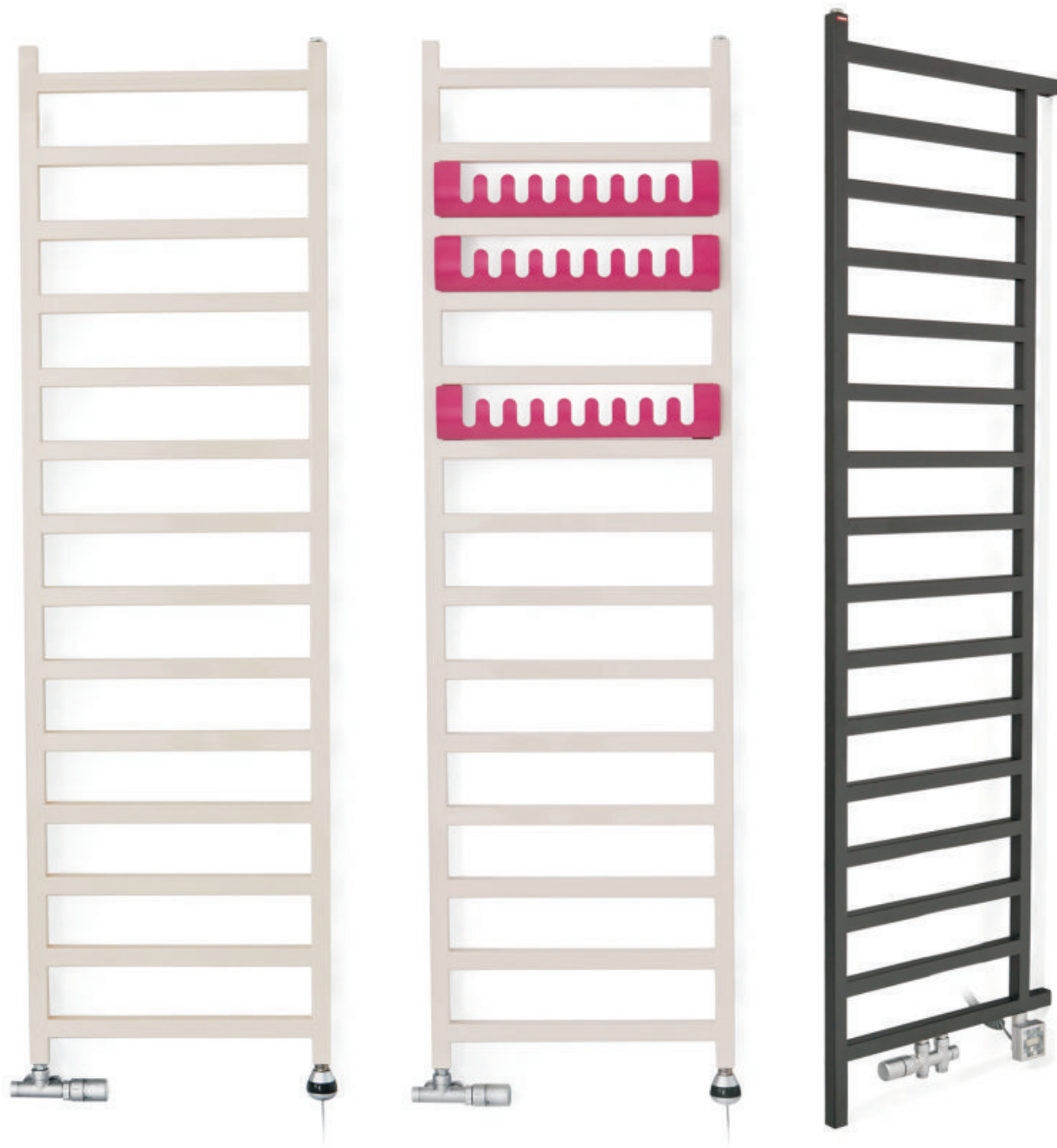
Simple

PERGAMON // 1680 — 500 // Thermostatic valve with immersion pipe + “Slim” thermostatic head // REG 3
Hanger SIMPLE // RADISH // 358 — 90 //

MODERN

Simple Division Wall

METALLIC GREY // 1995 — 500 // 50 mm connection valve + “Slim” thermostatic head // KTX 3



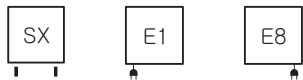
DESIGN: Przemysław Jan Majchrzak



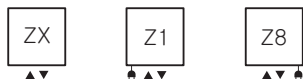
Standard version:



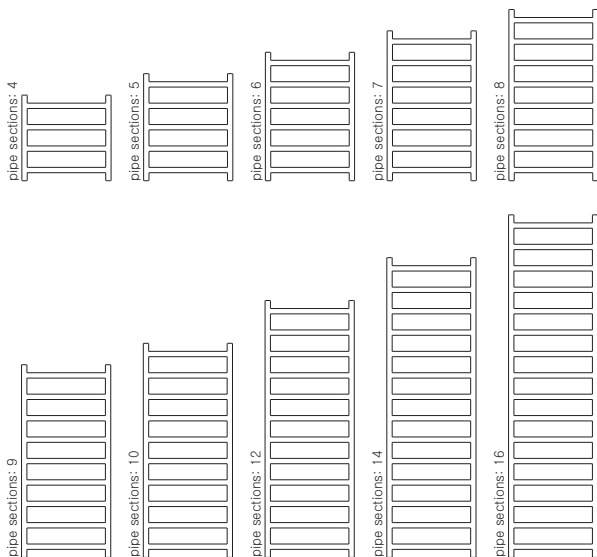
Standard connections:



Available on demand:



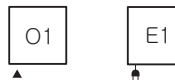
Sizes available:



Division Wall



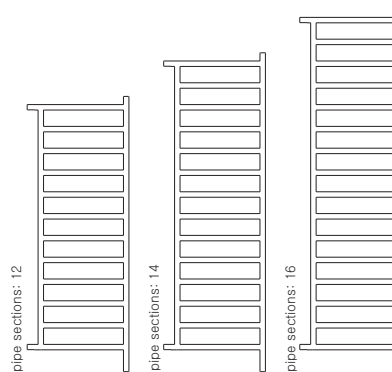
Standard connections:



Available on demand:

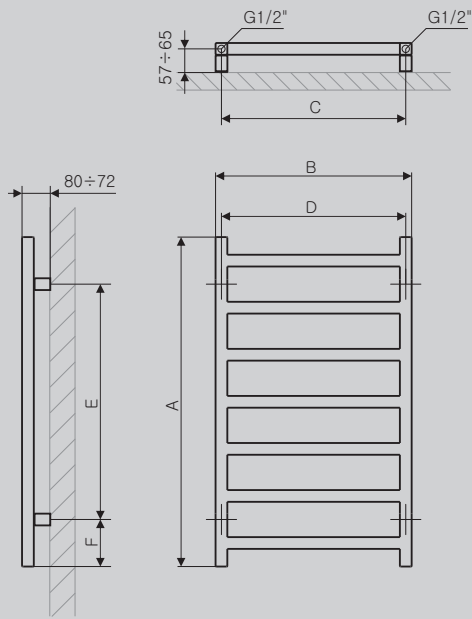


Sizes available:

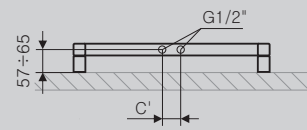


A	B	C	C'	75° 65° 20°	55° 45° 20°	☺	D	E	F	📦	📦
[mm]	[mm]	[mm]	[mm]	[W]	[W]	[W]	[mm]	[mm]	[mm]	[dm³]	[Kg]
Standard											
480	500	470	50	173	100	200	470	240	120	2.0	3.7
600	500	470	50	217	123	200	470	360	120	2.5	4.6
720	500	470	50	262	145	300	470	480	120	2.9	5.5
840	500	470	50	306	167	300	470	600	120	3.4	6.3
960	500	470	50	351	189	400	470	720	120	3.9	7.2
1080	500	470	50	396	211	400	470	840	120	4.4	8.1
1200	500	470	50	440	234	400	470	960	120	4.9	8.9
1440	500	470	50	522	271	600	470	1200	120	5.9	10.7
1680	500	470	50	609	308	600	470	1440	120	6.9	12.4
1920	500	470	50	696	343	800	470	1680	120	7.8	14.1
Division Wall (DW)											
1515	500	40	50	529	271	600	—	1320	15	5.9	10.7
1755	500	40	50	618	308	600	—	1560	15	6.9	12.4
1995	500	40	50	707	343	800	—	1800	15	7.8	14.1

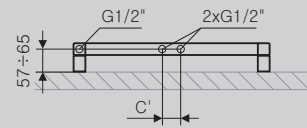
Standard
SX



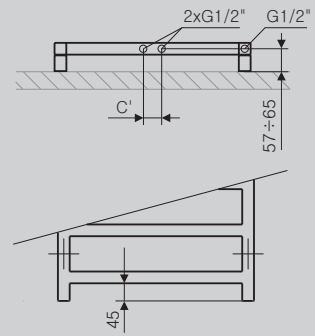
ZX



Z1

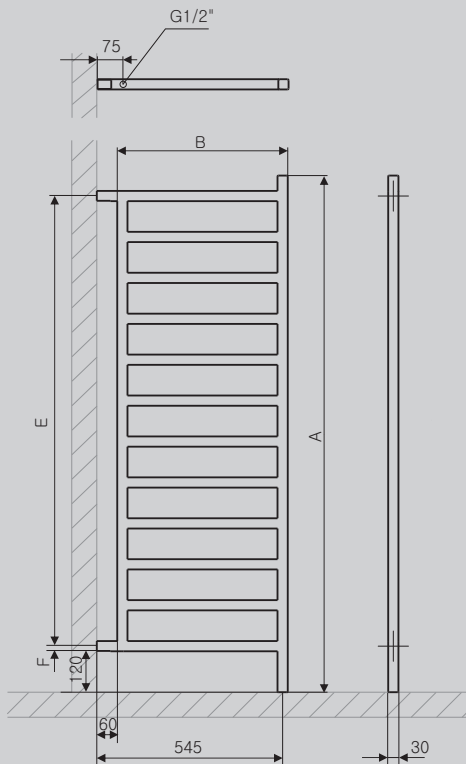


Z8

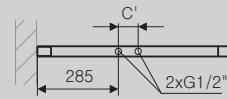


Division Wall

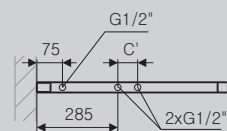
O1



ZX



Z1



Profile

