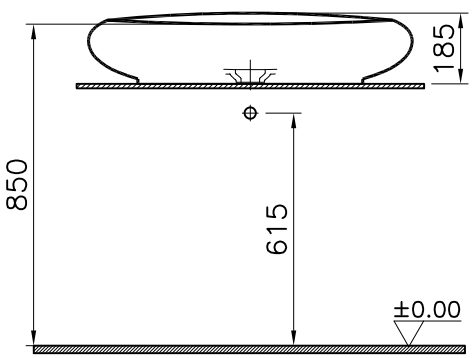
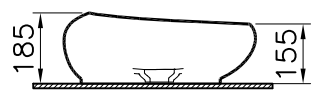
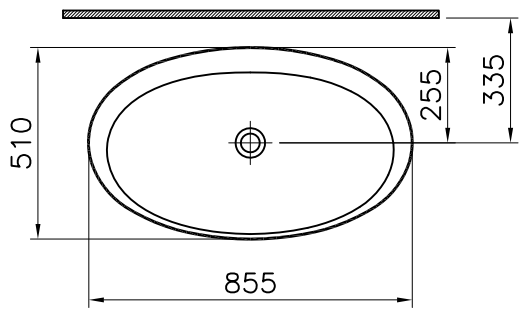


Theoretic Mass(kg)	Revision
Surface Area(dm ²)	A4

Thread	Hole	Shaft



01	Replaces Drawing dated 03.08.2012	08.11.2012	Gokhan
R.S	Description	Date	NAME

1	1	Washbasin,	4446-0016	Ceramic	
item	Quantity	Part Name	Drawing No	Material	Material Class
		Series	Ceramic	Material Class	
		Istanbul	Washbasin,		
Drawn By	Controlled By	Approved By	Date	Drawing No	Scale
G.GULTER	H.TURKOZ	S.VEDAT SARIGOL	03.08.2012	4446	1/20

This drawing can only be used for the intended purposes. Unauthorized copying is strictly prohibited.

VitrA® ARTEMA®