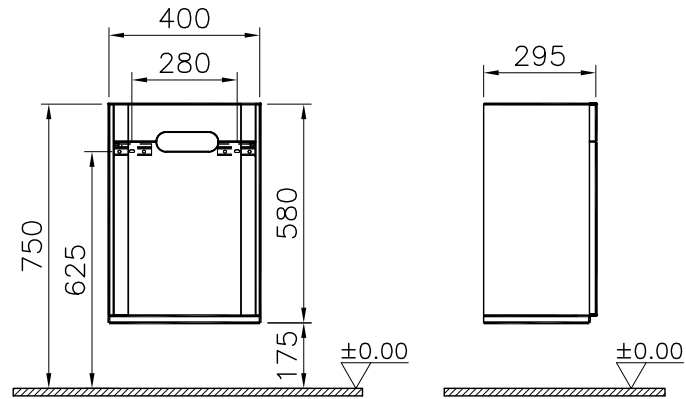
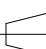



Theoretic Mass(kg)		Revision	
Surface Area(dm <sup>2</sup> )		<b>A4</b>	

Thread	Hole	Shaft



1	1	Mid Unit	60882		
item	Quantity	Part Name	Drawing No	Material	Material Class
		Series SENTO	Material Mid Unit	Material Class	
Drawn By G.GULTER	Controlled By M.EVCI	Approved By H.ALACA	Date 16.11.2016	Drawing No 60882	Scale 1/20

R.S	Description	Date	NAME

This drawing can only be used for the intended purposes. Unauthorized copying is strictly prohibited.

