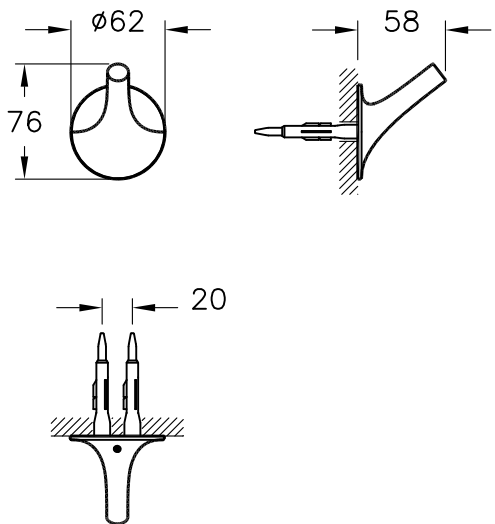


Theoretic Mass(kg)		Revision	
Surface Area(dm <sup>2</sup> )		<b>A4</b>	

Thread	Hole	Shaft



				1	1	Towel Hook	A48003		
				item	Quantity	Part Name	Drawing No	Material	Material Class
						Series	Material	Material Class	
						ISTANBUL	Towel Hook		
				Drawn By	Controlled By	Approved By	Date	Drawing No	Scale
				T. CETINEL	E. OZTURK	E. TALSİK	05.08.2011	A48003	1/5
R.S	Description	Date	NAME						

This drawing can only be used for the intended purposes. Unauthorized copying is strictly prohibited.