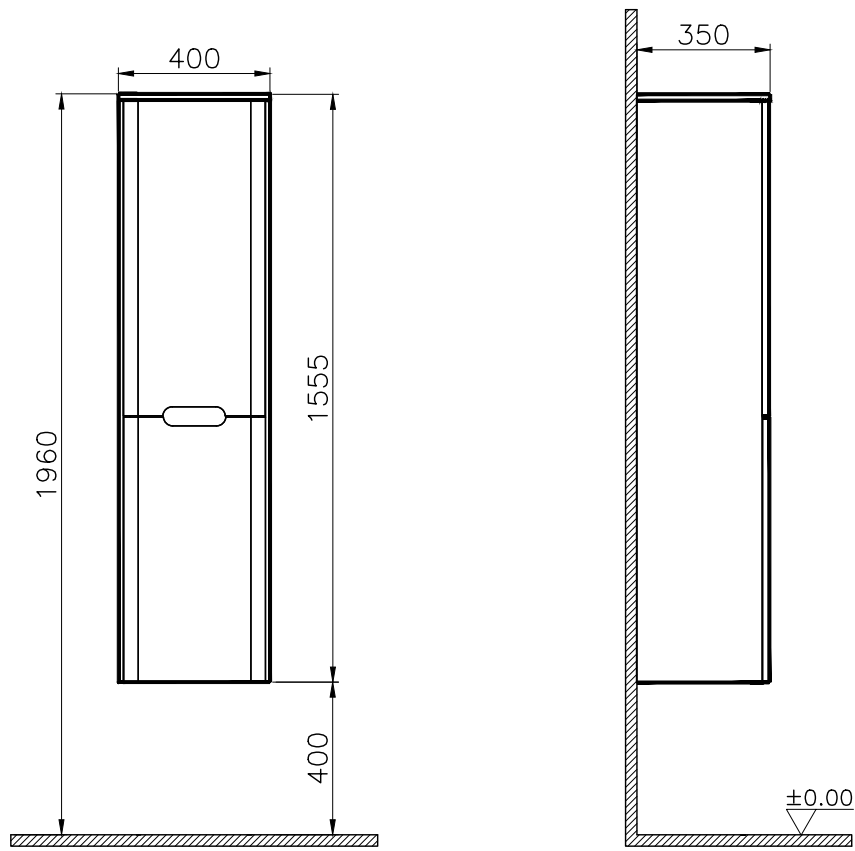


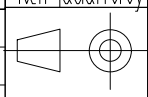
Theoretic Mass(kg)		Revision	
Surface Area(dm ²)		A4	

Thread	Hole	Shaft



1	1	Tall Unit	60854		
item	Quantity	Part Name	Drawing No	Material	Material Class
		Series	Material	Material Class	
		SENTO	Tall Unit		
Drawn By	Controlled By	Approved By	Date	Drawing No	Scale
G.GULTER	M.EVCI	H.ALACA	22.11.2016	60854	1/20

R.S	Description	Date	NAME



VitrA[®] ART[®]EMA