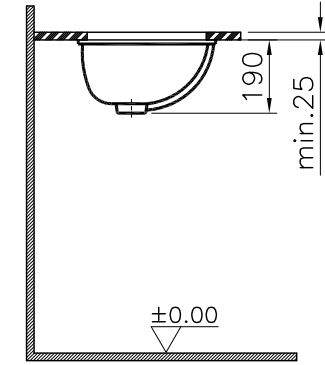
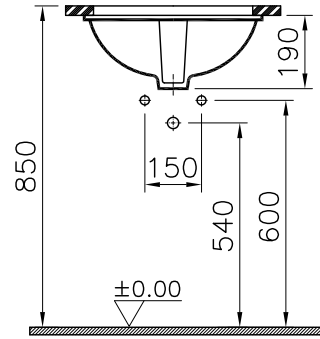
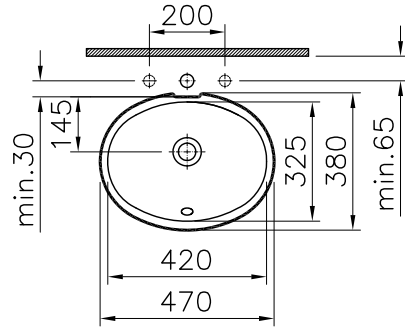


Theoretic Mass(kg)	Revision
Surface Area(dm <sup>2</sup> )	<b>A4</b>

Thread	Hole	Shaft



**CONTROLLED DOCUMENT  
MAINTAIN UPDATED**

03	Replaces drawing dated 28.03.2003	10.10.2009	GOKHAN
R.S	Description	Date	NAME

1	1	Undercounter basin 42 cm	6039-0012	Ceramic	
item	Quantity	Part Name	Drawing No	Material	Material Class
		Series	Material	Ceramic	Material Class
		ARKITEKT	Undercounter basin 42 cm		
		<small>This drawing can only be used for the intended purposes. Unauthorized copying is strictly prohibited.</small>			
Drawn By	Controlled By	Approved By	Date	Drawing No	Scale
U.AYDONER	O.KONEZ	B.TOPÇU	28.03.2003	6039	1/20

**VitrA® | ARTEMA®**