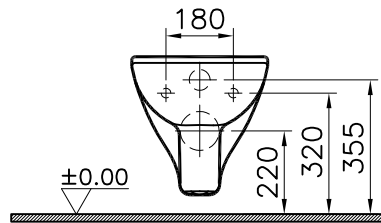
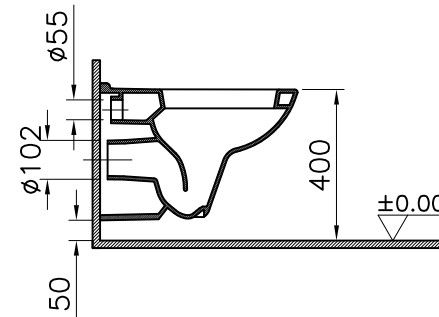
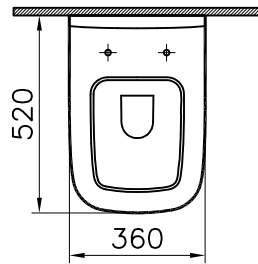


Theoretic Mass(kg)		Revision	
Surface Area(dm ²)		A4	

Thread	Hole	Shaft



1	1	Wall-hung WC pan	5507-0101	Ceramic	
item	Quantity	Part Name	Drawing No	Material	Material Class
		S20	Ceramic	Wall-hung WC pan	
		<small>This drawing can only be used for the intended purposes. Unauthorized copying is strictly prohibited.</small>			
Drawn By	Controlled By	Approved By	Date	Drawing No	Scale
G.GULTER	H.TURKOZ	S.VEDAT SARIGOL	16.12.2010	5507	1/20

01	Replaces Drawing dated 16.12.2010	21.12.2012	GOKHAN
R.S	Description	Date	NAME

VitrA® ART^{EM}A