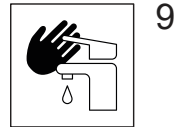
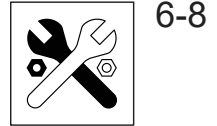




HANSA

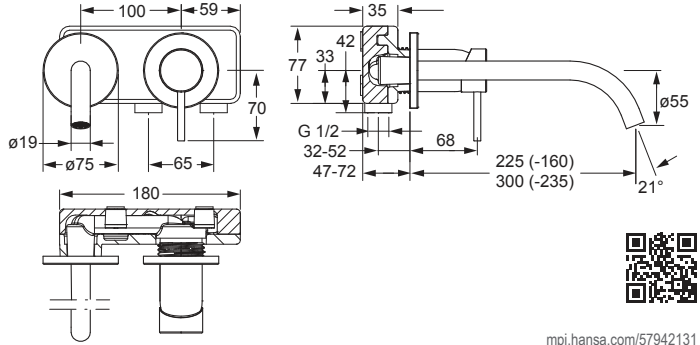
Installation and maintenance guide





5794 2131

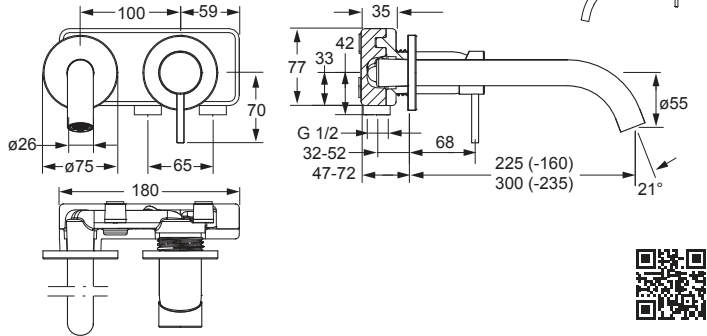
EN 817
 50 - 1000 kPa
 0.13 l/s (300 kPa w/Controller)
 max. +90°C



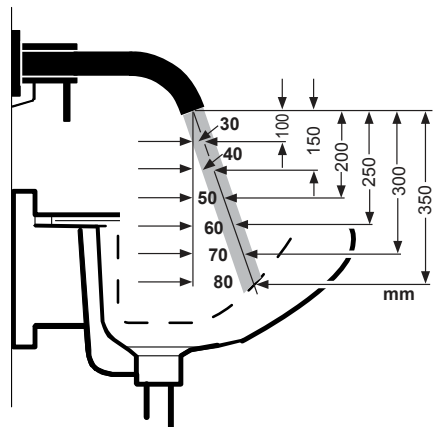
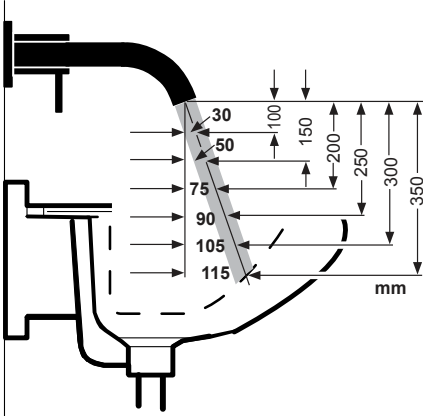
mpi.hansa.com/57942131

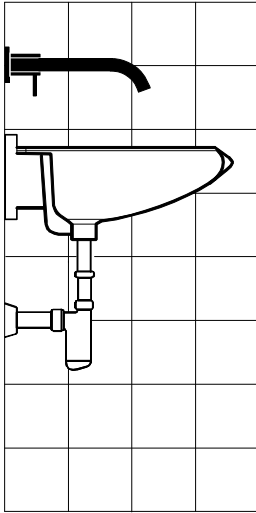
5795 2131

EN 817
 50 - 1000 kPa
 0.13 l/s (300 kPa)
 max. +90°C



mpi.hansa.com/57952131

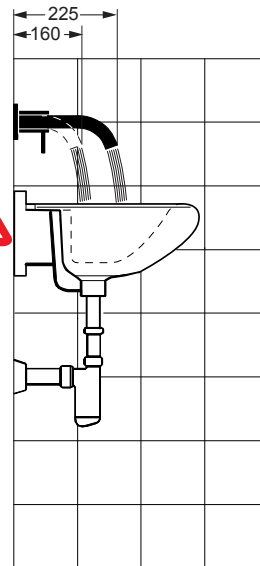
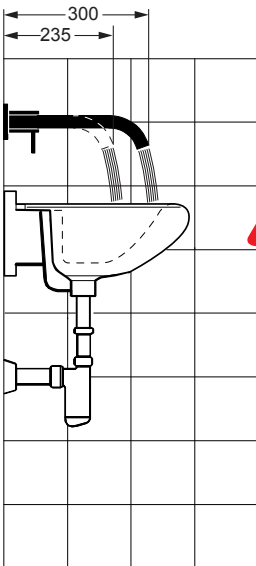
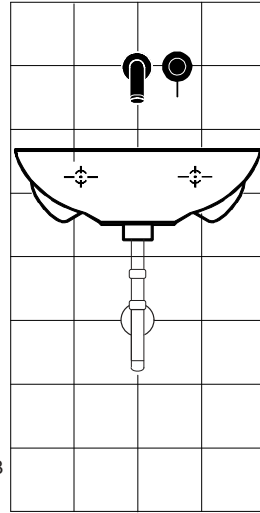




W H = 900 1100-1150




A H = 900

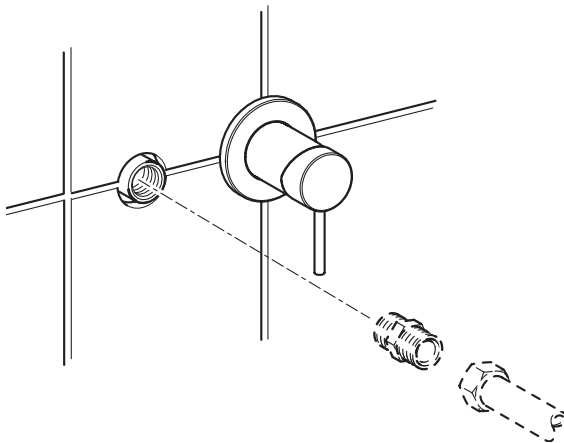
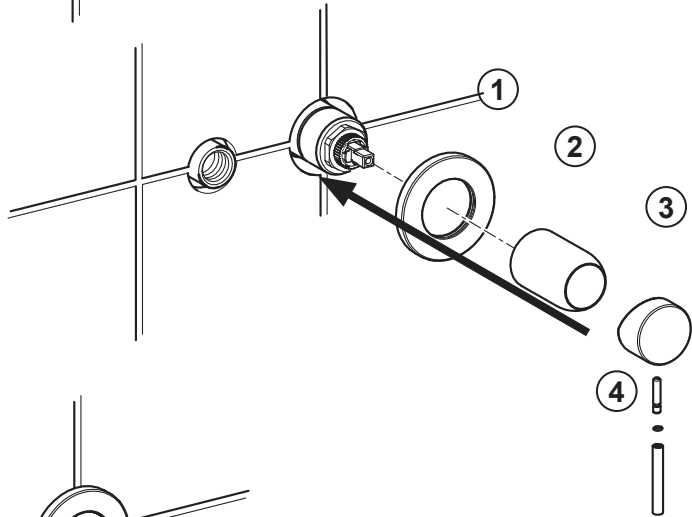
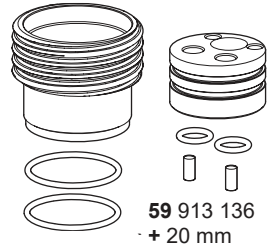
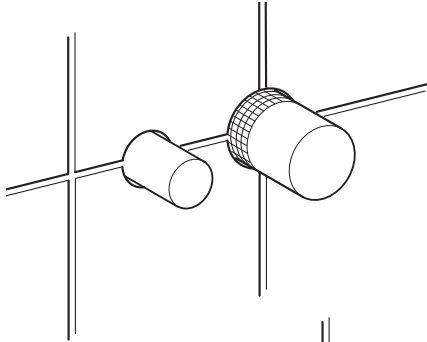


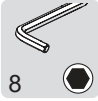


EN 806

2.5 

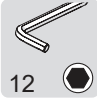
④





8

1 A



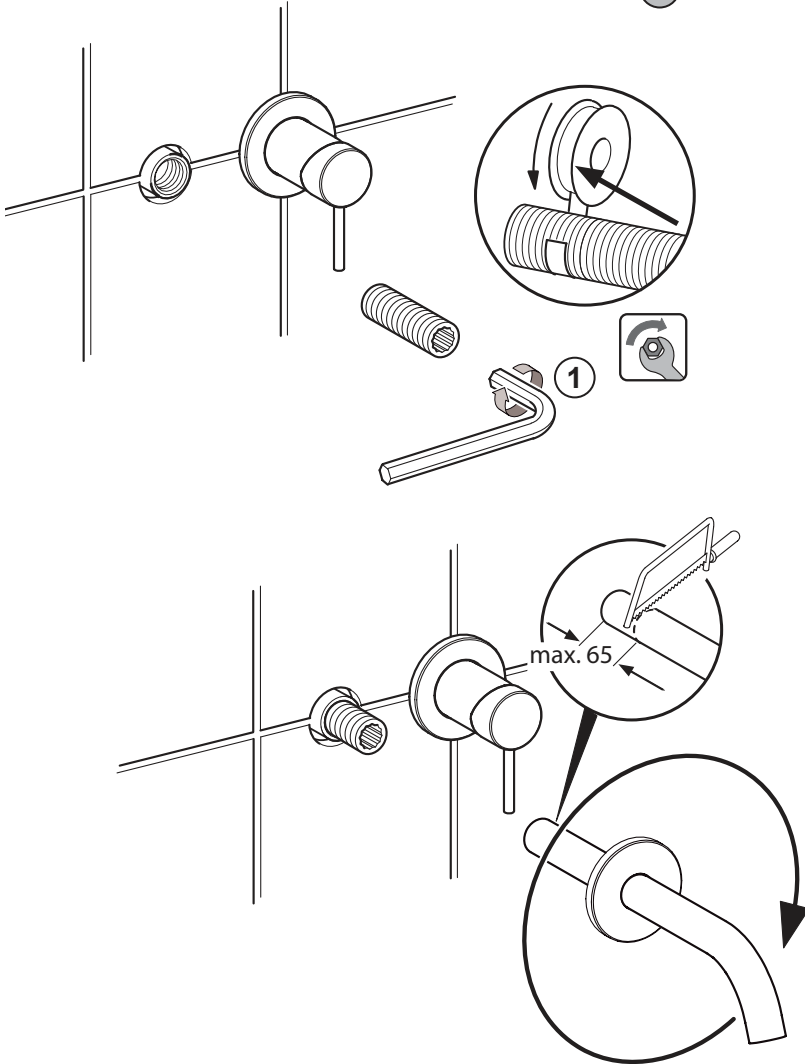
12

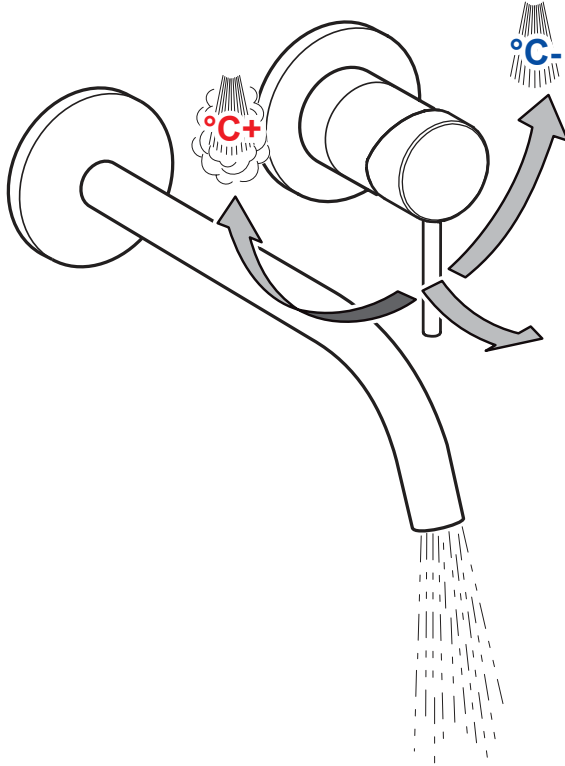
1 B

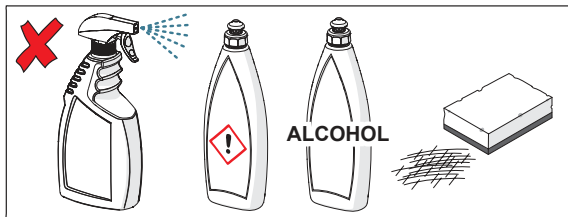
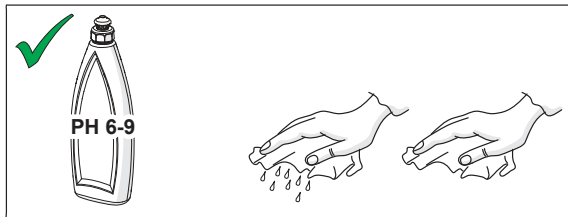
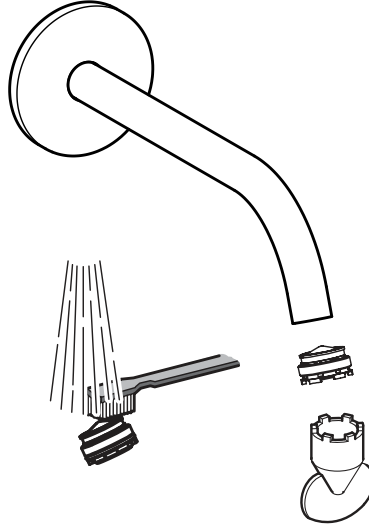
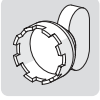


A 5793 2171/ 5795 2171/
5793 2131/ 5794
2131/ 5795 2131

B 5794 2171/ 5796 2171







cleaning.hansa.com

About Oras Group

Oras Group is a significant European provider of sanitary fittings: the market leader in the Nordics and a leading company in Continental Europe.

The company's mission is to create the smartest water experiences for everyone and its vision is to become the Perfect Flow Company.

The Group has two strong brands, Oras and Hansa. Oras Group is owned by Oras Invest, a family company, and an industrial owner.

The domicile of Oras Ltd, the parent company of the Group, is located in Rauma, Finland, and the Group has three manufacturing sites: Kralovice (Czech Republic), Olesno (Poland) and Rauma (Finland).

The Group operates with its own staff in 17 markets. Oras Group's net sales were 233.5 million euros in 2021 and at the end of the period the company employed 1255 people.

HANSA Armaturen GmbH
P. O. BOX 81 02 40
D-70519 Stuttgart
Sigmaringer Strasse 107
D-70567 Stuttgart
Tel.: +49 711 16 14 0
Fax: +49 711 16 14 368
info@hansa.de
www.hansa.com

