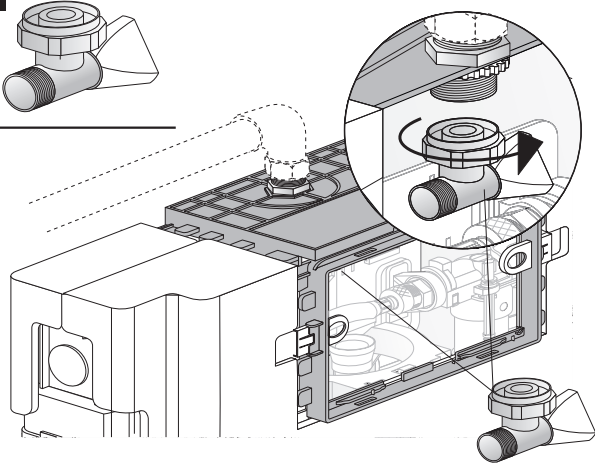
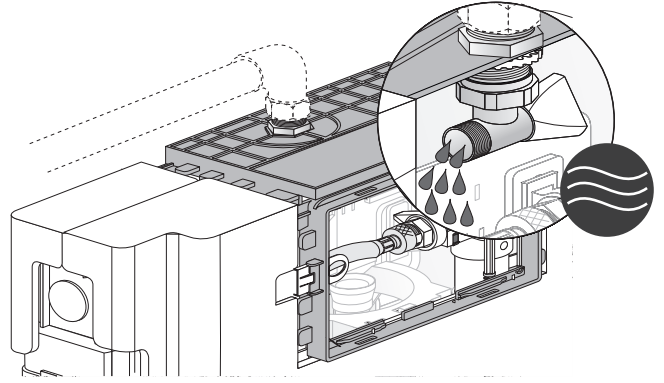


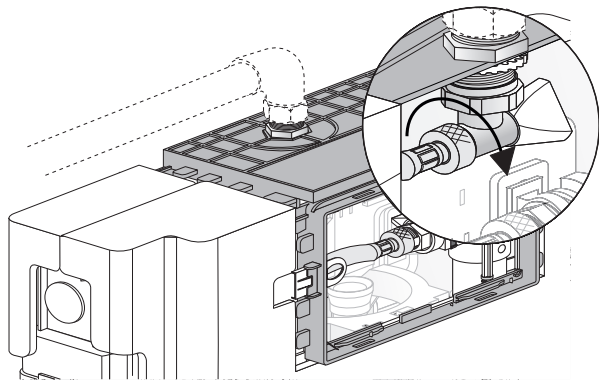
4



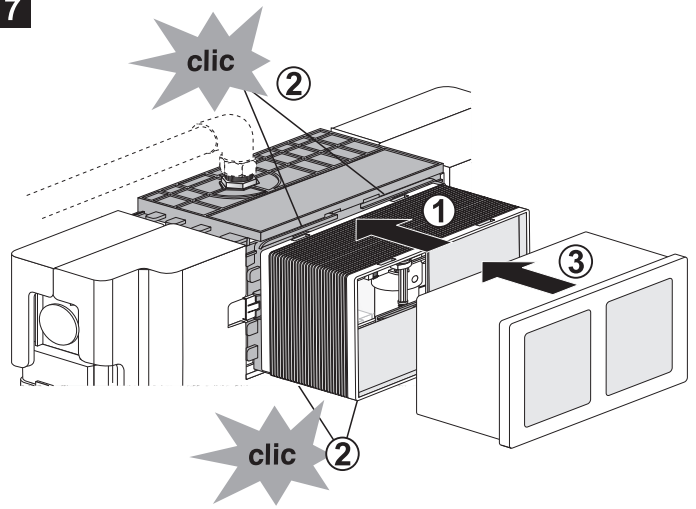
5



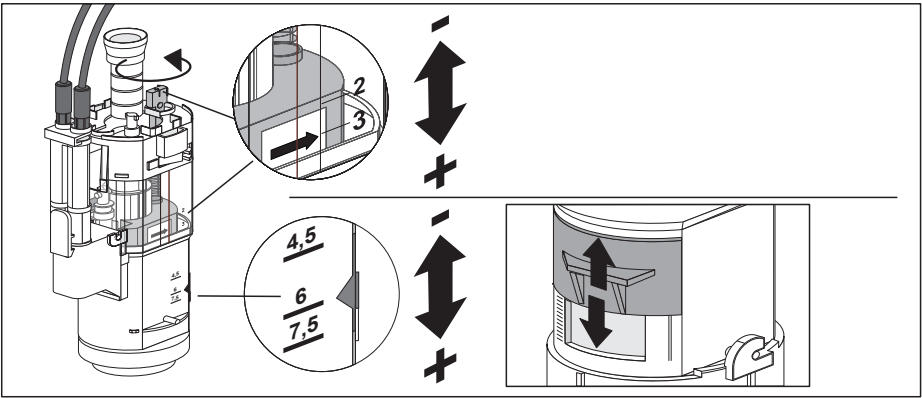
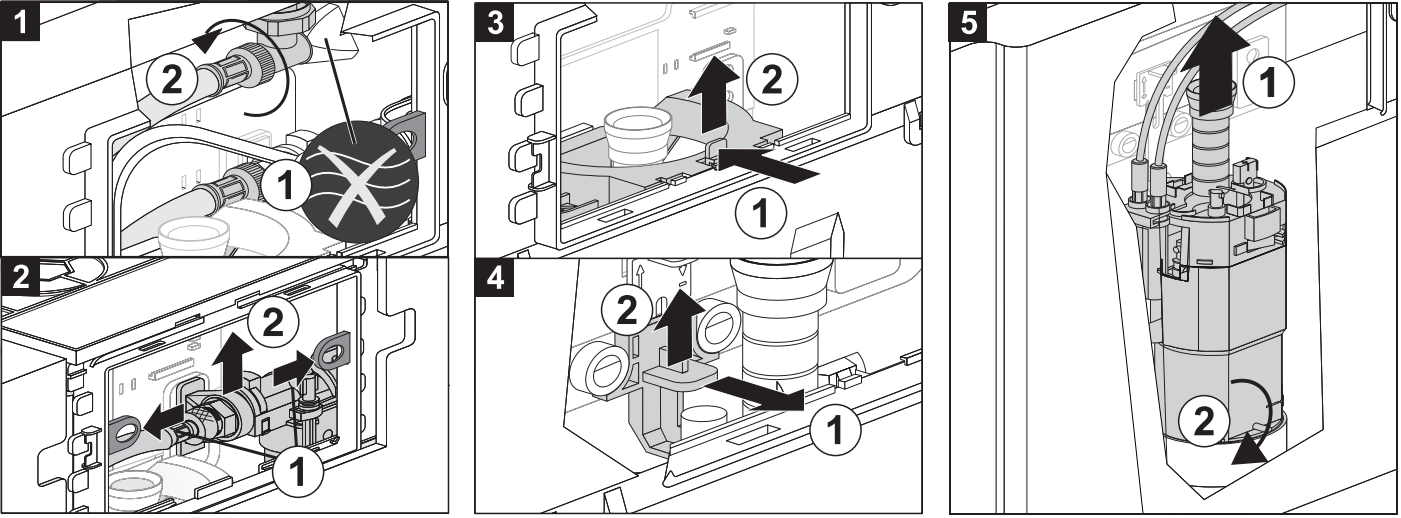
6



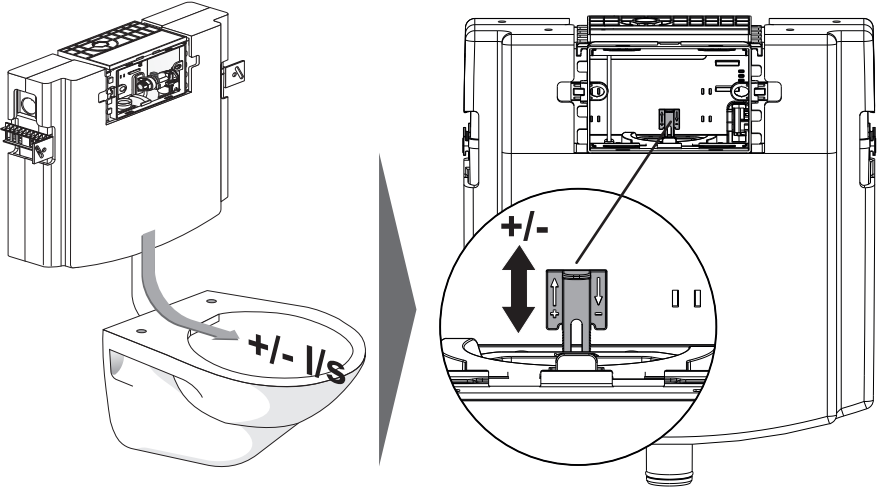
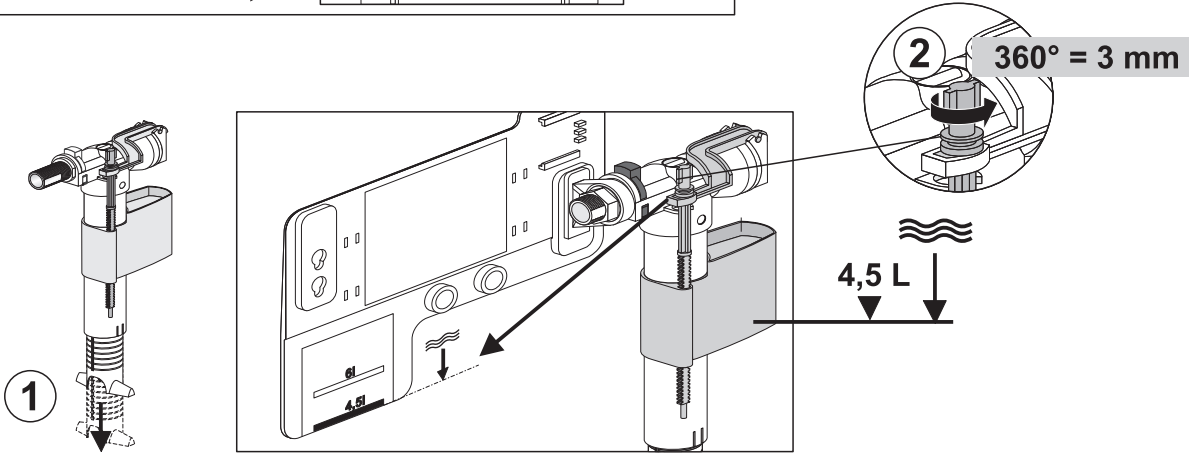
7

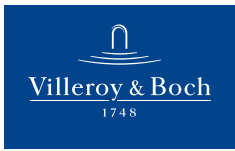


Service



CE
Villeroy & Boch AG Saarferstraße 1 D - 66693 Mettlach
18
DoP Nr. M244-01 CC-122-S-FO-2V-2C Personal hygiene
EN 14055-CL1-6-NLI-VR11





*Villeroy & Boch AG
Bathroom and Wellness Division
Corporate Headquarters
66693 Mettlach*