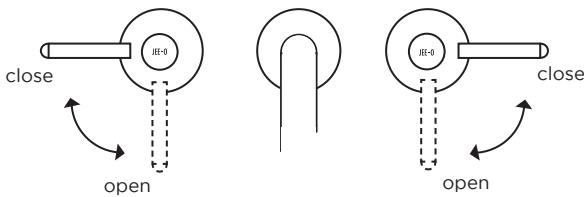
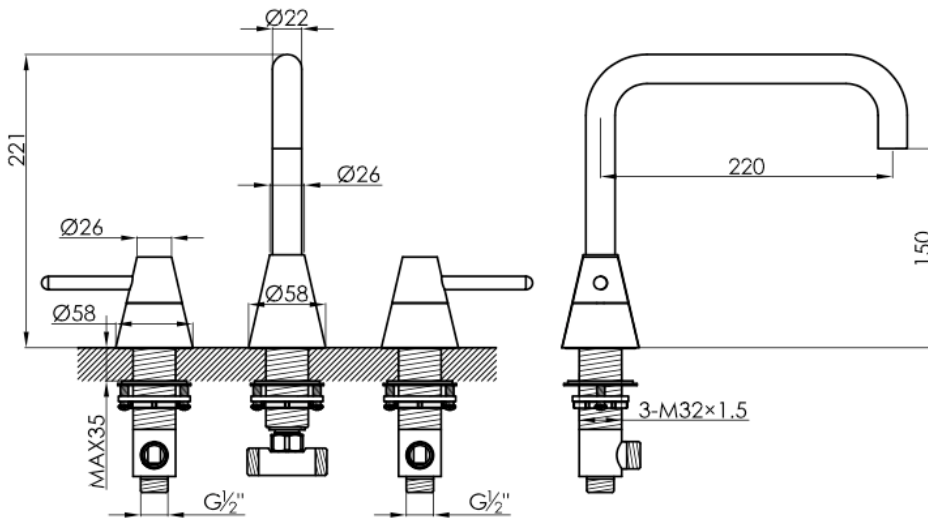




# JEE-O cone 3 hole mixer set



Article code:

900-1780

● Brushed

900-1786

● PVD coated gun metal

Material:

Stainless Steel r304

Cleaning instructions:

download JEE-O shower and taps manual on our website: [www.jee-o.com](http://www.jee-o.com)

Cartridge:

Fluhs ceramic valve (item code 005-0604)

Flow at water of 38°C:

10l p/m at 3Bar pressure

Pressure:

Recommended working pressure 3Bar

Connection:

2 x  $G\frac{1}{2}$ " ( $\varnothing 15\text{mm} / 0.6$ " ) nylon<sup>(out)</sup>/epdm<sup>(in)</sup> flexhose with brass swivel British Standard Pipe (BSP)

Thread:

Dimension package:

L 39 x W 30 x H 8 cm

Total weight:

3.6 kg

Package weight:

0.6 kg

7 year warranty - The general conditions can be found on our website: [www.jee-o.com/downloads](http://www.jee-o.com/downloads)

HS code:

84818011900