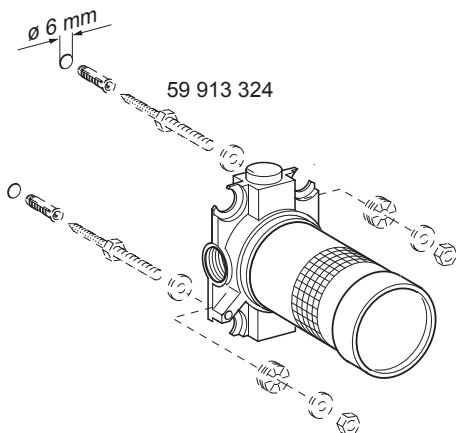


EN 817  
100 - 1000 kPa  
0.67 l/s (at 300 kPa)  
max. +90°C





① ② ③ ④

