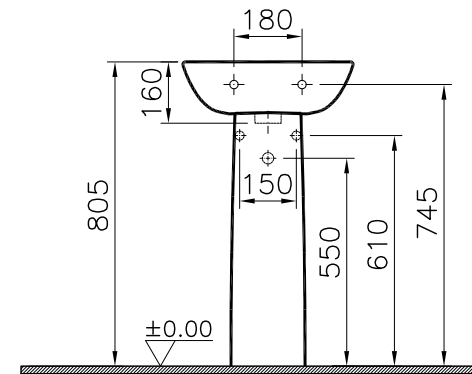
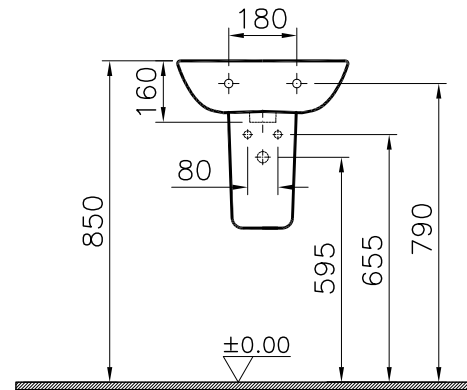
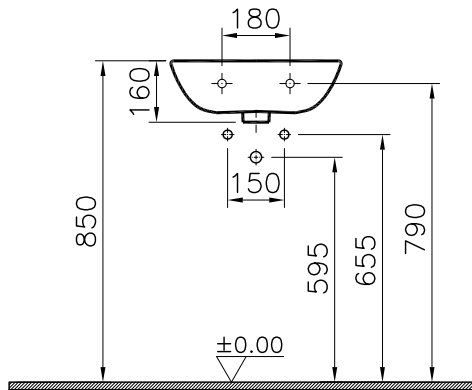
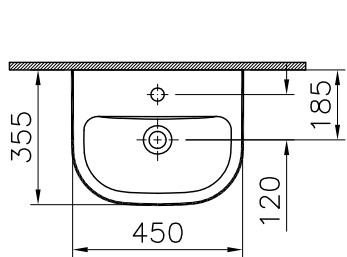
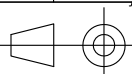


Theoretic Mass(kg)		Revision	
Surface Area(dm ²)		A4	

Thread	Hole	Shaft



3	1	Pedestal	5529-0156	Ceramic	
2	1	Trap Cover (Small)	5280-0156	Ceramic	
1	1	Washbasin 45 cm	5500-0001	Ceramic	
item	Quantity	Part Name	Drawing No	Material	Material Class



This drawing can only be used for the intended purposes. Unauthorized copying is strictly prohibited.

Series	Material	Ceramic	Material Class
S20	Washbasin 45 cm		

Drawn By	Controlled By	Approved By	Date	Drawing No	Scale	VitrA® ART ^{EM} A
G.GULTER	H.TURKOZ	S.VEDAT SARIGOL	16.12.2010	5500	1/20	

R.S	Description	Date	NAME