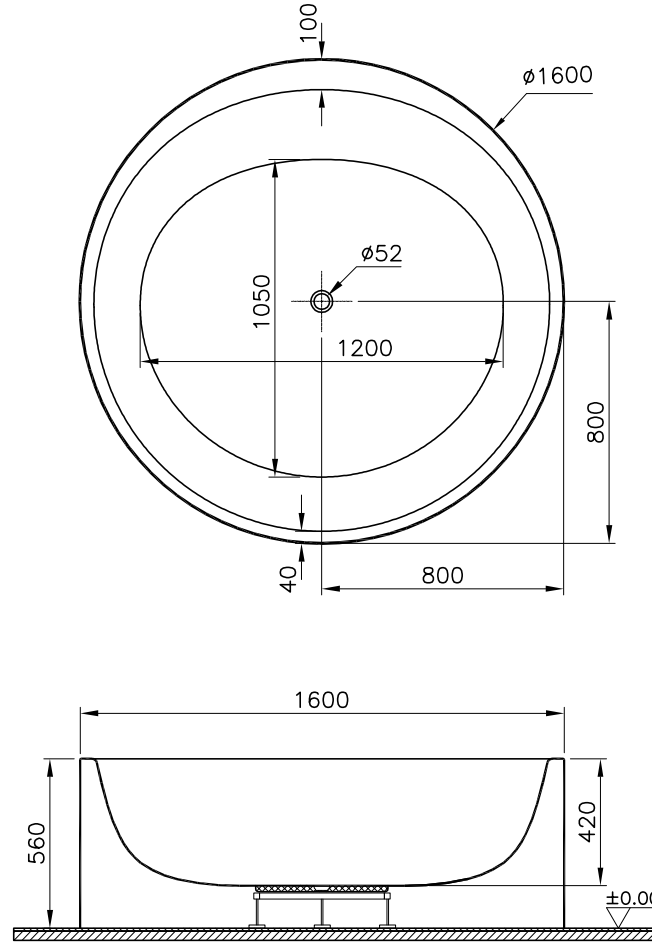
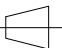



Theoretic Mass(kg)	Revision
Surface Area(dm ²)	A4

Thread	Hole	Shaft



1	1	Part Name		Drawing No	Material	Material Class
Item	Quantity	Series	Material	Material Class		
		<small>This drawing can only be used for the intended purposes. Unauthorized copying is strictly prohibited.</small>				
		Istanbul				
Drawn By		Controlled By	Approved By	Date	Drawing No	Scale
Serpil Sengör						1/25

1	İstanbul Silindir 160	01.06.2011	5299
R.S	Description	Date	NAME

VitrA® ARTEMA®