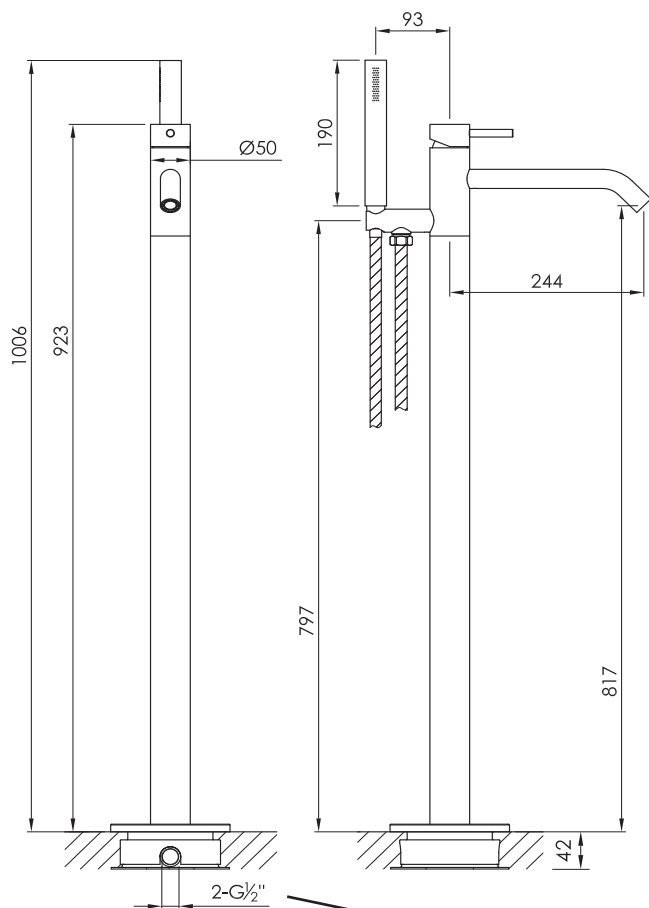




JEE-O slimline bath 02 specifications



Note:
UV radiation and extreme temperature
can affect the color and structure of the
surface of the **structured BLACK** version.



Article code: **800-3010** (brushed finish)
800-3011 (polished finish)
800-3013 (structured BLACK finish)

Material: Stainless Steel r304

Cleaning: JEE-O protect
Connection: 2 x G 1/2"

Dimension package: L 110 x W 42 x H 13 cm

Weight: 7.7 kg / 17 lbs
Package weight: 1.6 kg / 3.5 lbs

Placing on a water-tight floor

2 year warranty

HS code: 84818011900

