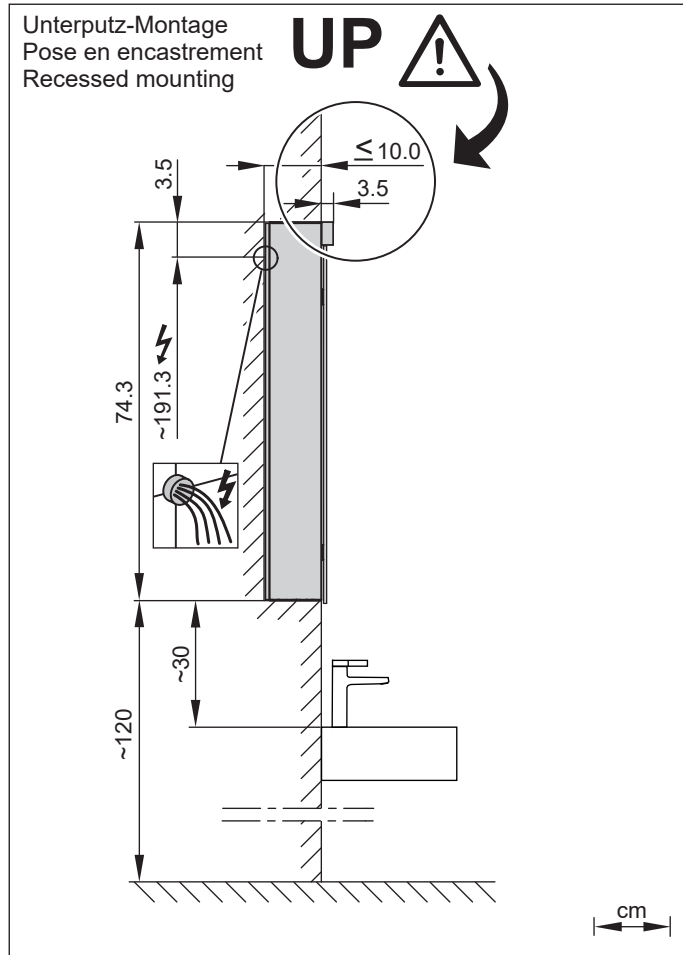
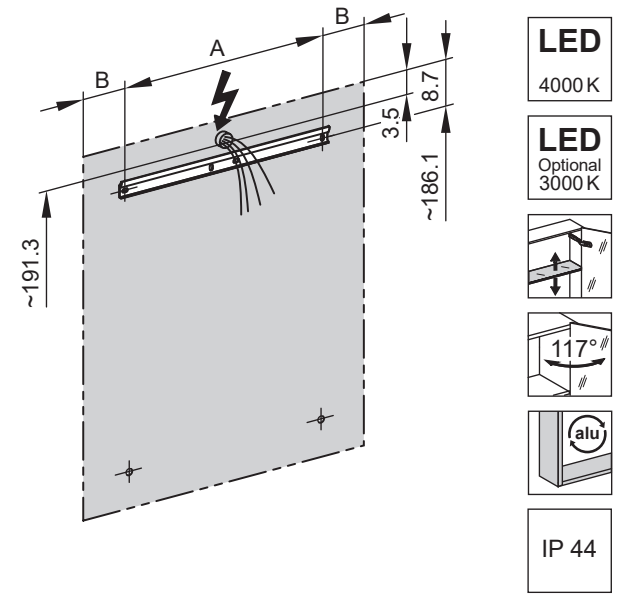
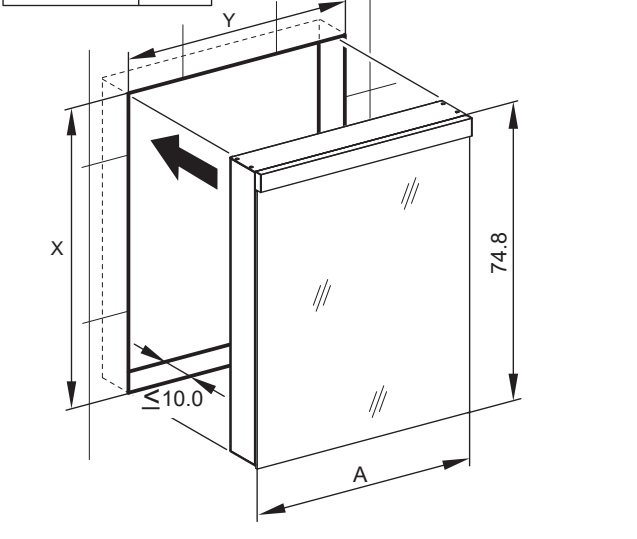


| LOB/LED | A  | B     | LOB/LED | A   | B     |
|---------|----|-------|---------|-----|-------|
| 50..    | 35 | 7.25  | 100..   | 65  | 17.25 |
| 60..    | 35 | 12.25 | 120..   | 95  | 12.25 |
| 70..    | 55 | 7.5   | 130..   | 95  | 17.25 |
| 80..    | 55 | 12.25 | 150..   | 125 | 12.5  |
| 90..    | 65 | 12.25 |         |     |       |



UP-Montage: Nischengröße X x Y und Befestigung Spiegelschrank sind bauseits zu bestimmen.  
 Montage encastré: la taille de la niche X x Y et la fixation de l'armoire-miroir doivent être déterminées par le client.  
 Flush mounting: the recess dimensions X by Y and the fixing system for the mirrored cabinet will need to be determined on site.

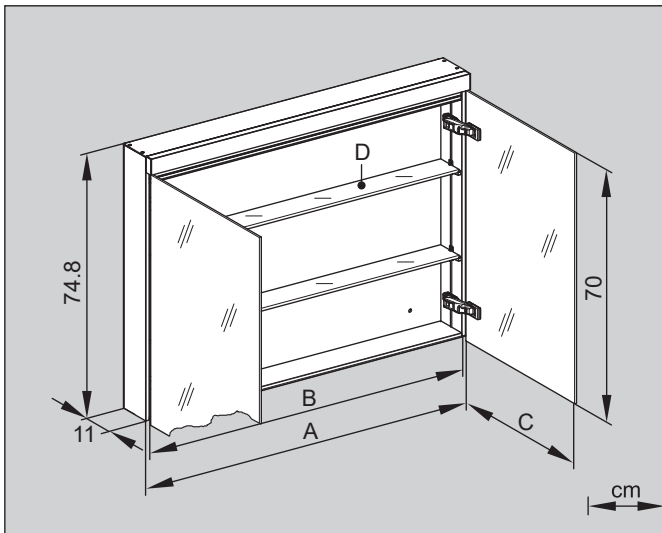
| LOB/LED | A    | LOB/LED | A     |
|---------|------|---------|-------|
| 50..    | 49.5 | 100..   | 99.5  |
| 60..    | 59.5 | 120..   | 119.5 |
| 70..    | 69.5 | 130..   | 129.5 |
| 80..    | 79.5 | 150..   | 149.5 |
| 90..    | 89.5 |         |       |




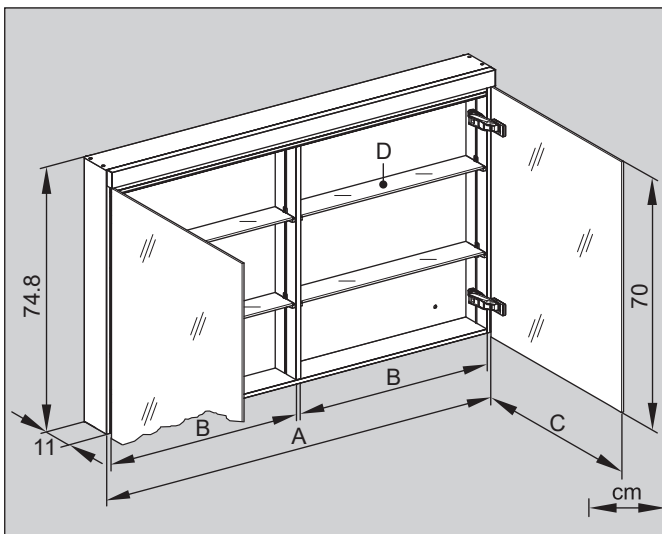
|   |                 |                 |                 |              |
|---|-----------------|-----------------|-----------------|--------------|
|   |                 | 171.250         | 171.260         |              |
|   |                 | LOB 50/1/LED    |                 | LOB 60/1/LED |
|   |                 | 1 x 10W/1260 lm | 1 x 12W/1540 lm |              |
|   | A               | 49.5            | 59.5            |              |
|   | B               | 47.1            | 57.1            |              |
| C | 50 (1x)         | 60 (1x)         |                 |              |
| D | 8.4 x 46.4 (2x) | 8.4 x 56.4 (2x) |                 |              |
|   |                 |                 |                 |              |


|   |                 |                 |  |
|---|-----------------|-----------------|--|
|   |                 | 171.265         |  |
|   |                 | LOB 60/1/F/LED  |  |
|   |                 | 1 x 12W/1540 lm |  |
|   | A               | 59.5            |  |
|   | B               | 57.1            |  |
| C | 60 (1x)         |                 |  |
| D | 8.4 x 56.4 (2x) |                 |  |
|   |                 |                 |  |

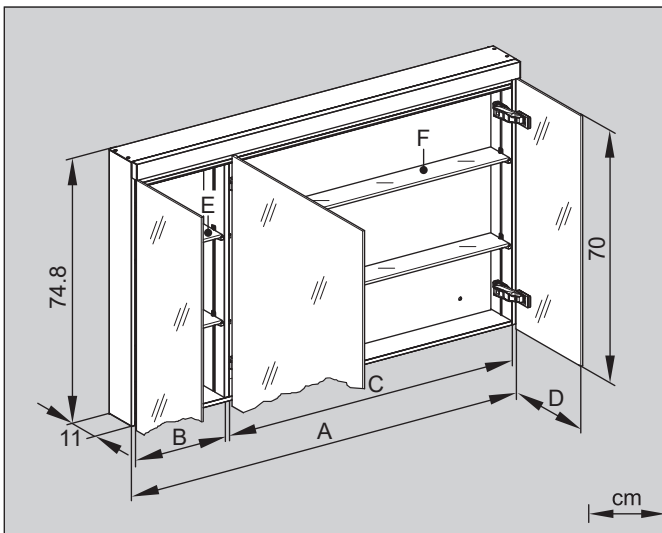
|   |                 |                 |                 |                 |              |
|---|-----------------|-----------------|-----------------|-----------------|--------------|
|   |                 | 171.261         | 171.270         | 171.280         |              |
|   |                 | LOB 60/2/LED    |                 | LOB 70/2/LED    | LOB 80/2/LED |
|   |                 | 1 x 12W/1540 lm | 1 x 14W/1820 lm | 1 x 17W/2100 lm |              |
|   | A               | 59.5            | 69.5            | 79.5            |              |
|   | B               | 57.1            | 67.1            | 77.1            |              |
| C | 30 (2x)         | 35 (2x)         | 40 (2x)         |                 |              |
| D | 8.4 x 56.4 (2x) | 8.4 x 66.4 (2x) | 8.4 x 76.4 (2x) |                 |              |
|   |                 |                 |                 |                 |              |

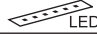
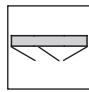
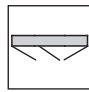


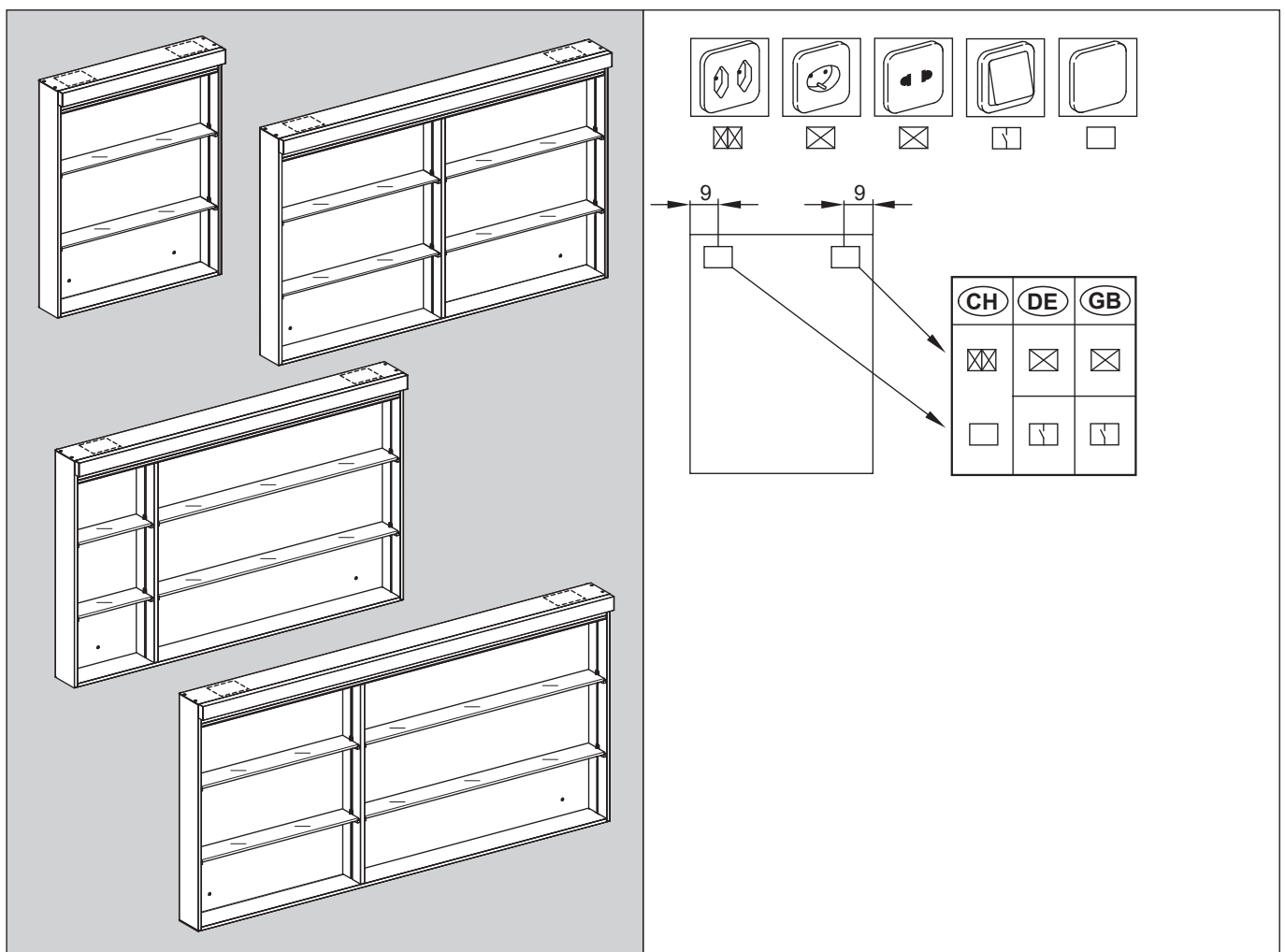
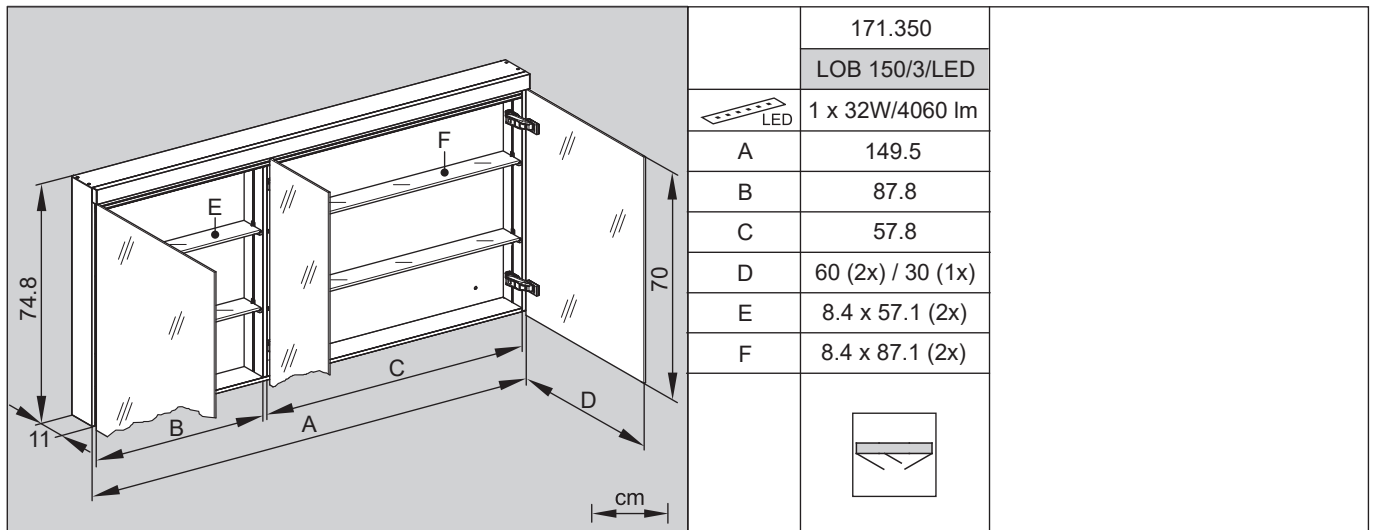
|   | 171.290         | 171.300         |
|---|-----------------|-----------------|
|   | LOB 90/2/LED    | LOB 100/2/LED   |
|  LED | 1 x 19W/2380 lm | 1 x 21W/2660 lm |
| A   | 89.5            | 99.5            |
| B   | 87.1            | 97.1            |
| C   | 45 (2x)         | 50 (2x)         |
| D   | 8.4 x 86.4 (2x) | 8.4 x 96.4 (2x) |



|   | 171.320         | 171.330         |
|---|-----------------|-----------------|
|   | LOB 120/2/LED   | LOB 130/2/LED   |
|  LED | 1 x 25W/3220 lm | 1 x 28W/3500 lm |
| A   | 119.5           | 129.5           |
| B   | 57.8            | 62.8            |
| C   | 60 (2x)         | 65 (2x)         |
| D   | 8.4 x 57.1 (4x) | 8.4 x 62.1 (4x) |



|   | 171.301  | 171.321   |
|---|--|---|
|   | LOB 100/3/LED  | LOB 120/3/LED   |
|  LED | 1 x 21W/2660 lm  | 1 x 25W/3220 lm   |
| A   | 99.5   | 119.5   |
| B   | 27.8   | 27.8  |
| C   | 67.8   | 87.8  |
| D   | 30 (2x) / 40 (1x)  | 30 (2x) / 60 (1x)   |
| E   | 8.4 x 27.1 (2x)  | 8.4 x 27.1 (2x)   |
| F   | 8.4 x 67.1 (2x)  | 8.4 x 87.1 (2x)   |
|   |  |  |



Arbeiten an den elektrischen Anlagen dürfen nur von autorisierten Fachleuten nach den örtlichen Vorschriften ausgeführt werden.

Les travaux à l'installation électrique ne doivent être effectués que par des spécialistes autorisés selon les prescriptions locales.

Electric installation work may only be carried out by approved specialists according to the local regulations.



Genauere Angaben über Ausführung und Ausrüstung entnehmen Sie der entsprechenden Preis- und Typenliste. Änderungen vorbehalten.

Veillez prendre de plus amples information en ce qui concerne l'équipement de notre liste des prix et des modèles correspondante. Sous réserve de modifications.

For further information as equipment details please refer to our corresponding price and model list. Alterations are reserved.