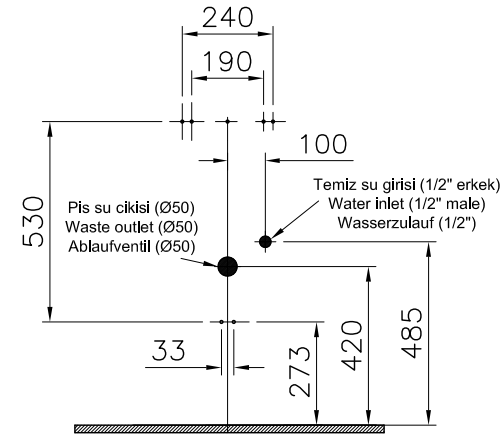
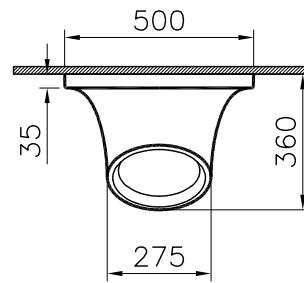
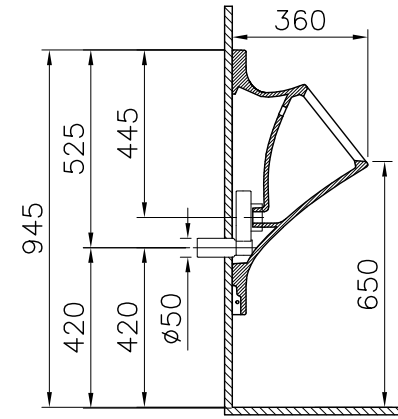
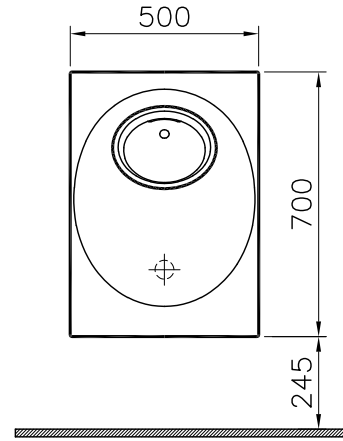


Theoretic Mass(kg)		Revision	
Surface Area(dm ²)		A4	

Thread	Hole	Shaft



1	1	Urinal	4517	Ceramic	
item	Quantity	Part Name	Drawing No	Material	Material Class
		Series	Ceramic	Material Class	
		Istanbul	Urinal		
Drawn By	Controlled By	Approved By	Date	Drawing No	Scale
G.GULTER	N.BALTACI	V.SARIGOL	09.04.2007	4517	1/20

01	Replaces Drawing Date 09.04.2017	10.04.2017	Gokhan
R.S	Description	Date	NAME

This drawing can only be used for the intended purposes. Unauthorized copying is strictly prohibited.

VitrA® ARTEMA®