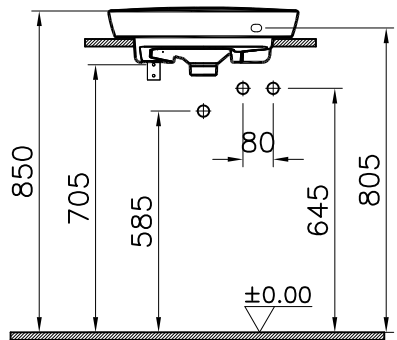
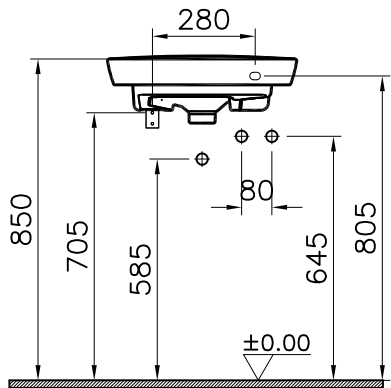
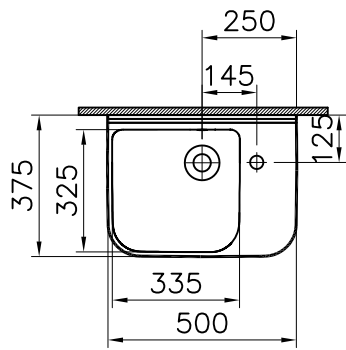
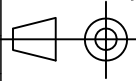


Theoretic Mass(kg)		Revision	
Surface Area(dm ²)			

Thread	Hole	Shaft



1	1	Washbasin	5945	Ceramic	
No	Quantity	Part Name	Drawing No	Material	Material Class
		Series	Ceramic	Material	Material Class
		SENTO	Washbasin		
Rev.	Details	Date	Signature	Drawn By	Controlled By
				G.GULTER	N.BALTACI
				Approved By	Date
				V.SARIGOL	21.10.2016
				Drawing No	Scale
				5945	1/20
				VitrA® ARTEMA®	



This drawing can only be used for the intended purposes. Unauthorized copying is strictly prohibited.