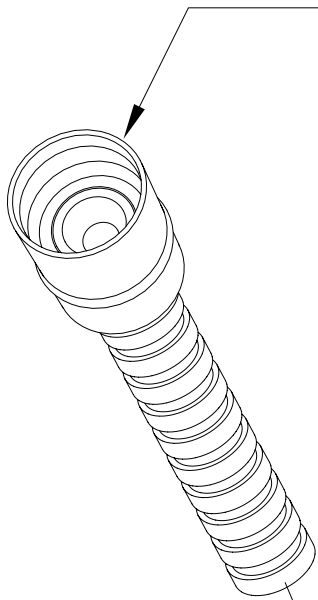


G1/2



M12x1

