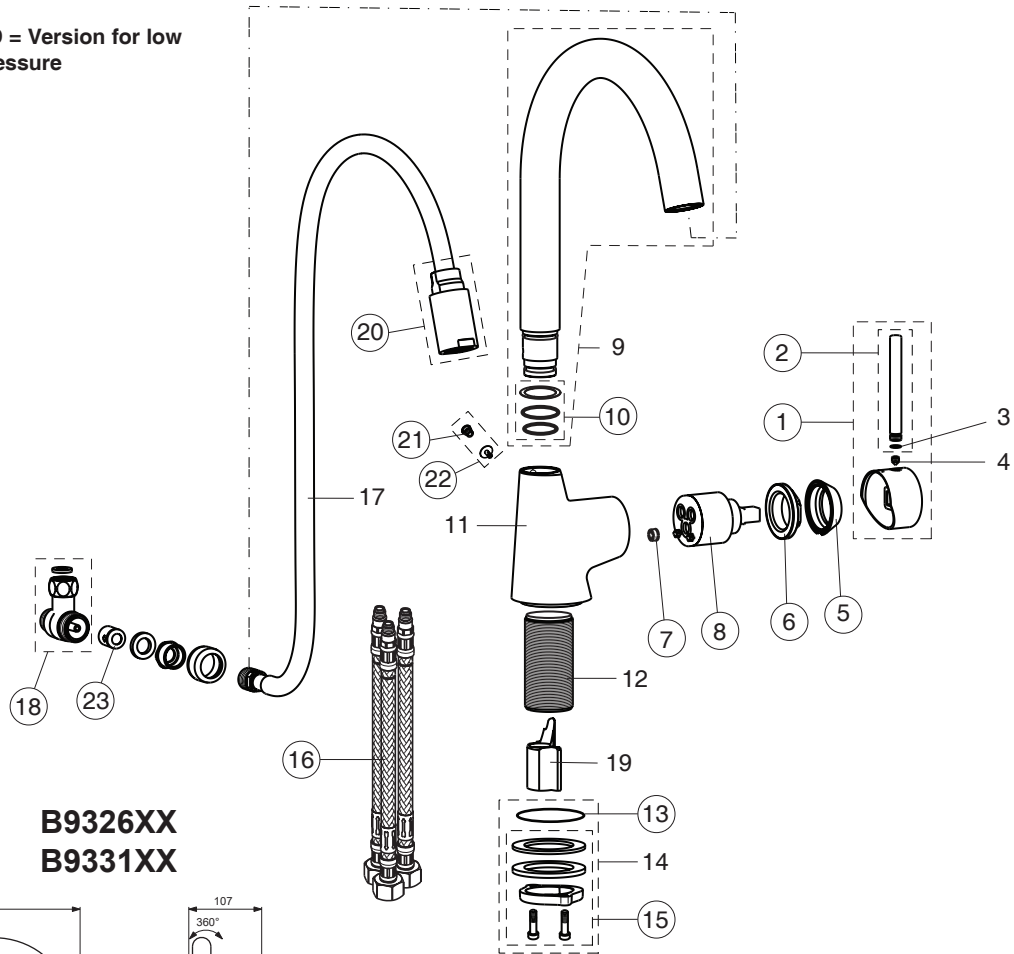
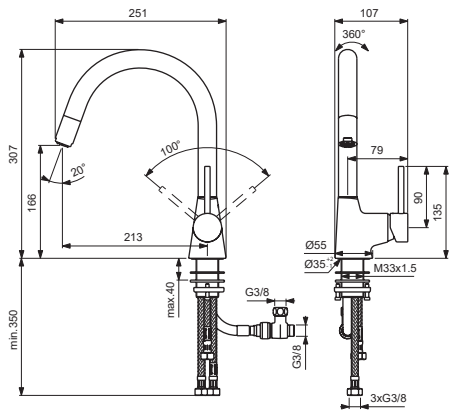




ND = Version for low pressure



**B9326XX**  
**B9331XX**



**For XX=Coverage-Designate:**

AA=chrome, GN=ultra steel

**For Instance:**

B960909AA for chrome

B960909GN for ultra steel

Pos.	Signify	Spare parts-Nr.	Quantity	Pos.	Signify	Spare parts-Nr.	Quantity
1	Lever, w/logo ISI-compl.	B960909XX	1 Pcs.	14	Assembly for kitchen		1 Set
2	Small handle for handle	B960719XX	1 Pcs.	15	Connecting group	B960255NU	1 Pcs.
3	O-Ring Ø6x1		1 Pcs.	16	Fl.hose G3/8, M8x1/L620	B960364NU	1 Pcs.
4	Screw M5x6		1 Pcs.	17	Fl.hose G3/8, M8x1/L500	A962005NU	1 Pcs.
5	Cap	B961473XX	1 Pcs.	18	Hose L1500mm-M15x1 plastic kit with weight		1 Pcs.
6	Screw M38x1	B961569NU	1 Pcs.	19	T-Stueck	A962630NU	1 Pcs.
7	Flow regulator 5 l/min	H961506NU	1 Pcs.	20	Schlauchfuehrung Pull-down spray 1F, w/flow straightner	B960913XX	1 Pcs.
8	Cartridge w/hot limit stop	B961477NU	1 Pcs.	21	Screw M5x5.5	A960058NU	1 Pcs.
9	Tub.spout R200mm-compl.		1 Pcs.	22	Screw and cap-compl.	B960297XX	1 Pcs.
10	Sealing set for tub.spout	B960914NU	1 Set	23	Non return valve	A962594NU	2 Pcs.
11	Body kitchen Kombi		1 Pcs.				
12	Shank M33x1.5		1 Pcs.				
13	O-Ring Ø42.52x2.62	A960276NU	1 Pcs.				